



LIGHTING FOREVER

# 8 PIN DIP HIGH SPEED SPLIT DARLINGTON PHOTOCOUPLER

6N138 6N139

## Features:

- High current transfer ratio – 2000% typical
- High isolation voltage between input and output ( $V_{iso}=5000 V_{rms}$ )
- Guaranteed performance from 0°C to 70°C
- Pb free and RoHS compliant.
- UL approved (No. 214129)
- VDE approved (No. 132249)
- SEMKO approved
- NEMKO approved
- DEMKO approved
- FIMKO approved
- CSA approved (No. 2037145)

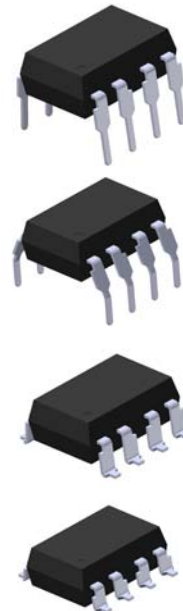
## Description

The 6N138 and 6N139 devices each consists of an infrared emitting diode, optically coupled to a high gain split Darlington photo detector. They provide extremely high current transfer ratio between input and output, with access to a base terminal to adjust the gain bandwidth.

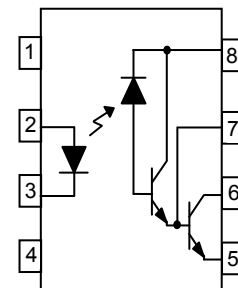
These devices are packaged in an 8-pin DIP package and available in wide-lead spacing and SMD options.

## Applications

- Digital logic ground isolation
- RS-232C line receiver
- Low input current line receiver
- Microprocessor bus isolation
- Current loop receiver



## Schematic



## Pin Configuration

1. No Connection
2. Anode
3. Cathode
4. No Connection
5. Gnd
6. Vout
7.  $V_B$
8. Vcc



LIGHTING FOREVER

# 8 PIN DIP HIGH SPEED SPLIT DARLINGTON PHOTOCOUPLER

## 6N138 6N139

### Absolute Maximum Ratings (T<sub>a</sub>=25°C unless otherwise specified)

Parameter		Symbol	Rating	Unit	
Input	Forward current	I <sub>F</sub>	20	mA	
	Peak forward current (50% duty, 1ms P.W)	I <sub>FP</sub>	40	mA	
	Peak transient current (≤1 μs P.W, 300pps)	I <sub>Ftrans</sub>	1	A	
	Reverse voltage	V <sub>R</sub>	5	V	
	Power dissipation	P <sub>IN</sub>	45	mW	
Output	Power dissipation	P <sub>O</sub>	100	mW	
	Output current	I <sub>O</sub>	60	mA	
	Emitter-Base Reverse Voltage	VER	0.5	V	
	Output voltage	6N138	V <sub>O</sub>	-0.5 to 7	V
		6N139		-0.5 to 18	V
	Supply voltage	6N138	V <sub>CC</sub>	-0.5 to 7	V
6N139		-0.5 to 18		V	
Isolation voltage *1		V <sub>ISO</sub>	5000	V rms	
Operating temperature		T <sub>OPR</sub>	-40 ~ +85	°C	
Storage temperature		T <sub>STG</sub>	-55 ~ +125	°C	
Soldering temperature *2		T <sub>SOL</sub>	260	°C	

#### Notes

\*1 AC for 1 minute, R.H.= 40 ~ 60% R.H. In this test, pins 1, 2, 3, 4 are shorted together, and pins 5, 6, 7, 8 are shorted together.

\*2 For 10 seconds.



LIGHTING FOREVER

# 8 PIN DIP HIGH SPEED SPLIT DARLINGTON PHOTOCOUPLER

**6N138 6N139**

## Electrical Characteristics ( $T_a=0$ to $70^\circ\text{C}$ unless specified otherwise)

### Input

Parameter	Symbol	Min.	Typ.*	Max.	Unit	Condition
Forward voltage	$V_F$	-	1.3	1.7	V	$I_F = 1.6\text{mA}$
Reverse Voltage	$V_R$	5.0	-	-	V	$I_R = 10\mu\text{A}$ , $T_A=25^\circ\text{C}$
Temperature coefficient of forward voltage	$\Delta V_F/\Delta T_A$	-	-1.8	-	mV/ $^\circ\text{C}$	$I_F = 1.6\text{mA}$

### Output

Parameter	Symbol	Min.	Typ.*	Max.	Unit	Condition	
Logic High Output Current	6N139	-	0.01	100	$\mu\text{A}$	$I_F=0\text{mA}$ , $V_O=V_{CC}=18\text{V}$	
	6N138	-	-	250			
Logic Low Supply Current	6N138 6N139	$I_{CCL}$	-	0.6	1.5	mA	$I_F=1.6\text{mA}$ , $V_O=\text{Open}$ , $V_{CC}=18\text{V}$
Logic High Supply Current	6N138 6N139	$I_{CCH}$	-	0.05	10	$\mu\text{A}$	$I_F=0\text{mA}$ , $V_O=\text{Open}$ , $V_{CC}=18\text{V}$

## Transfer Characteristics ( $T_a=0$ to $70^\circ\text{C}$ unless specified otherwise, $V_{CC}=4.5\text{V}$ )

Parameter	Symbol	Min.	Typ.*	Max.	Unit	Condition	
Current Transfer Ratio	6N139	CTR	400	2500	-	$\%$	$I_F = 0.5\text{mA}$ , $V_O = 0.4\text{V}$ , $V_{CC}=4.5\text{V}$
			500	2000	-		$I_F = 1.6\text{mA}$ , $V_O = 0.4\text{V}$ , $V_{CC}=4.5\text{V}$
	6N138	300	2000	-			
Logic Low Output Voltage	6N139	$V_{OL}$	-	0.05	0.4	V	$I_F = 0.5\text{mA}$ , $I_O = 2\text{mA}$ , $V_{CC}=4.5\text{V}$
			-	0.09	0.4		$I_F = 1.6\text{mA}$ , $I_O = 8\text{mA}$ , $V_{CC}=4.5\text{V}$
			-	0.12	0.4		$I_F = 5\text{mA}$ , $I_O = 15\text{mA}$ , $V_{CC}=4.5\text{V}$
			-	0.17	0.4		$I_F = 12\text{mA}$ , $I_O = 24\text{mA}$ , $V_{CC}=4.5\text{V}$
	6N138	-	0.06	0.4	$I_F = 1.6\text{mA}$ , $I_O = 4.8\text{mA}$ , $V_{CC}=4.5\text{V}$		

\* Typical values at  $T_a = 25^\circ\text{C}$



LIGHTING FOREVER

# 8 PIN DIP HIGH SPEED SPLIT DARLINGTON PHOTOCOUPLER

**6N138 6N139**

## Switching Characteristics (T<sub>a</sub>=0 to 70°C unless specified otherwise, V<sub>cc</sub>=5V)

Parameter	Symbol	Min.	Typ.*	Max.	Unit	Condition
Propagation Delay Time to Logic Low (Fig. 13)	6N139	-	5	25	μs	I <sub>F</sub> = 0.5mA , R <sub>L</sub> =4.7kΩ, T <sub>A</sub> =25°C
		-	-	30		I <sub>F</sub> = 0.5mA , R <sub>L</sub> =4.7kΩ
		-	0.2	1		I <sub>F</sub> = 12mA , R <sub>L</sub> =270Ω, T <sub>A</sub> =25°C
	6N138	-	-	2		I <sub>F</sub> = 12mA , R <sub>L</sub> =270Ω
		-	1.4	10		I <sub>F</sub> = 1.6mA , R <sub>L</sub> =2.2kΩ, T <sub>A</sub> =25°C
		-	-	15		I <sub>F</sub> = 1.6mA , R <sub>L</sub> =2.2kΩ
Propagation Delay Time to Logic High (Fig. 13)	6N139	-	16	60	μs	I <sub>F</sub> = 0.5mA , R <sub>L</sub> =4.7kΩ, T <sub>A</sub> =25°C
		-	-	90		I <sub>F</sub> = 0.5mA , R <sub>L</sub> =4.7kΩ
		-	1.7	7		I <sub>F</sub> = 12mA , R <sub>L</sub> =270Ω, T <sub>A</sub> =25°C
	6N138	-	-	10		I <sub>F</sub> = 12mA , R <sub>L</sub> =270Ω
		-	8	35		I <sub>F</sub> = 1.6mA , R <sub>L</sub> =2.2kΩ, T <sub>A</sub> =25°C
		-	-	50		I <sub>F</sub> = 1.6mA , R <sub>L</sub> =2.2kΩ
Common Mode Transient Immunity at Logic High (Fig. 14) <sup>*3</sup>	CM <sub>H</sub>	1,000	-	-	V/μs	I <sub>F</sub> = 0mA , V <sub>CM</sub> =10Vp-p, R <sub>L</sub> =2.2KΩ, T <sub>A</sub> =25°C
Common Mode Transient Immunity at Logic Low (Fig. 14) <sup>*3</sup>	CM <sub>L</sub>	1,000	-	-	V/μs	I <sub>F</sub> = 1.6mA , V <sub>CM</sub> =10Vp-p, R <sub>L</sub> =2.2KΩ, T <sub>A</sub> =25°C

\* Typical values at T<sub>a</sub> = 25°C

# 8 PIN DIP HIGH SPEED SPLIT DARLINGTON PHOTOCOUPLER

6N138 6N139

## Typical Performance Curves

Fig.1 LED Forward Current vs. Forward Voltage

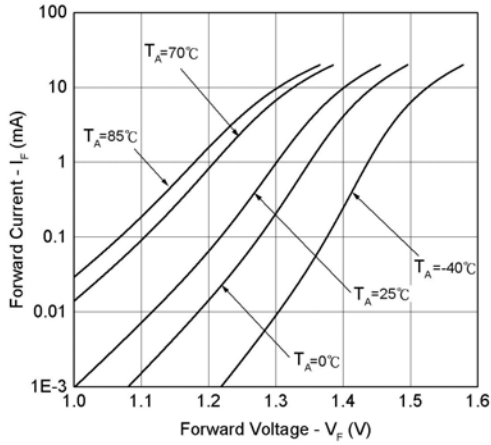


Fig.2 LED Forward Voltage vs. Temperature

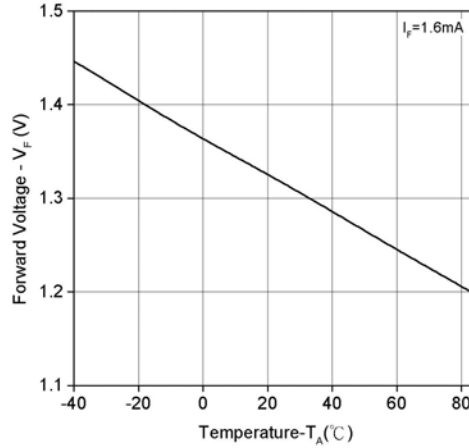


Fig.3 Output Current vs. Output Voltage

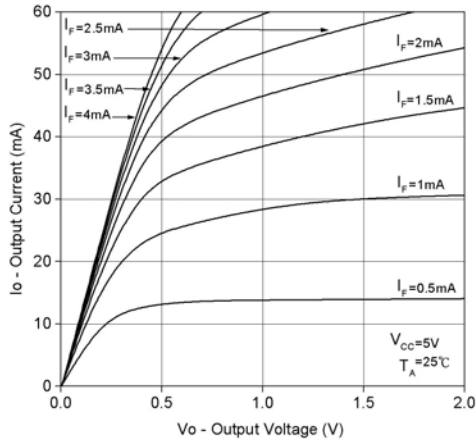


Fig.4 Output Current vs. Input Diode Forward Current

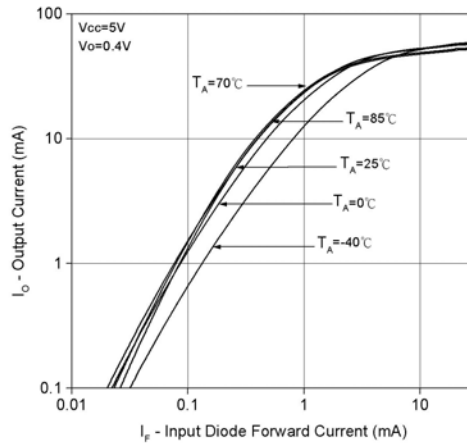


Fig.5 Current Transfer Ratio vs. Forward Current

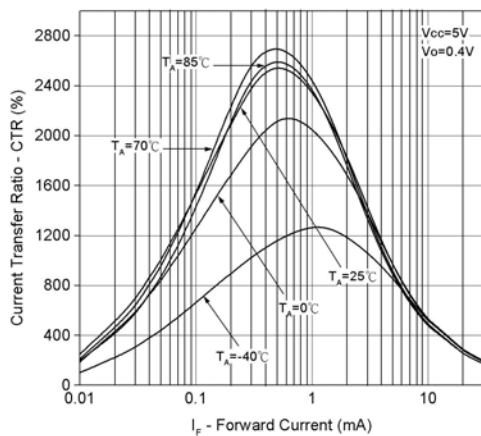
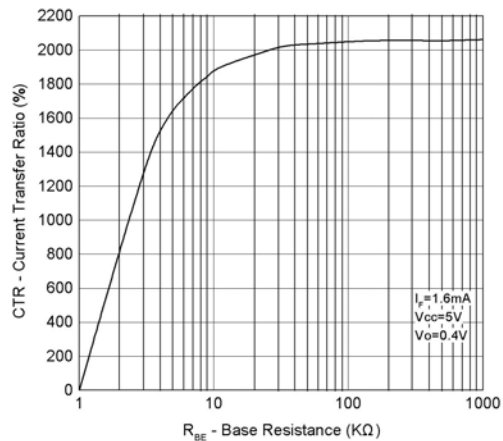


Fig.6 Current Transfer Ratio vs. Base-Emitter Resistance



# 8 PIN DIP HIGH SPEED SPLIT DARLINGTON PHOTOCOUPLER

**6N138 6N139**

Fig.7 Non-saturated Rise and Fall Times vs. Load Resistance

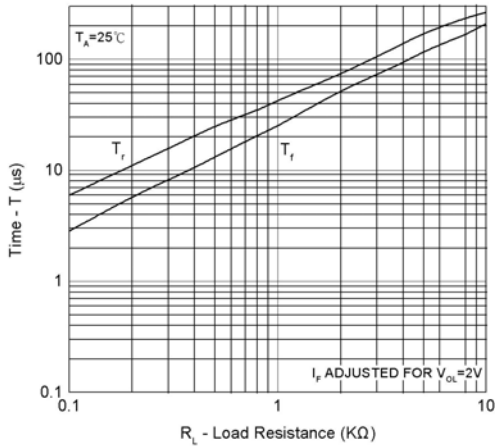


Fig.8 Propagation Delay To Logic Low vs. Base-Emitter Resistance

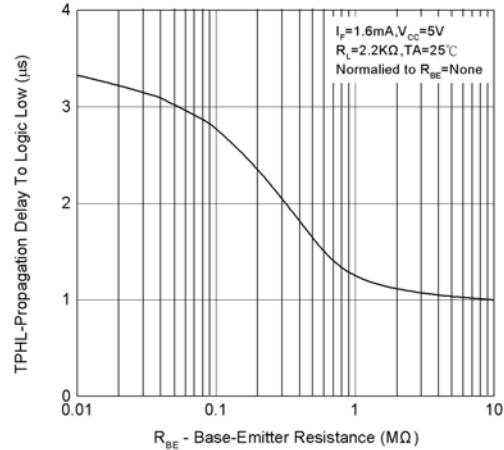


Fig.9 Propagation Delay vs. Input Diode Forward Current

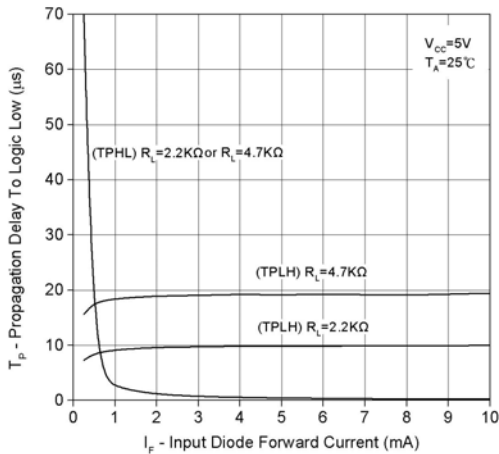


Fig.10 Propagation Delay to Logic Low vs. Pulse Period

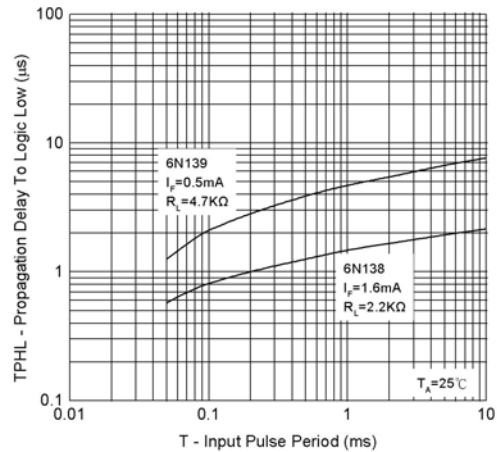


Fig.11 Propagation Delay vs. Temperature

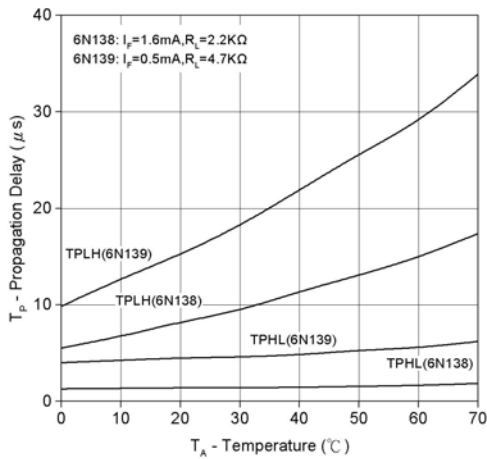
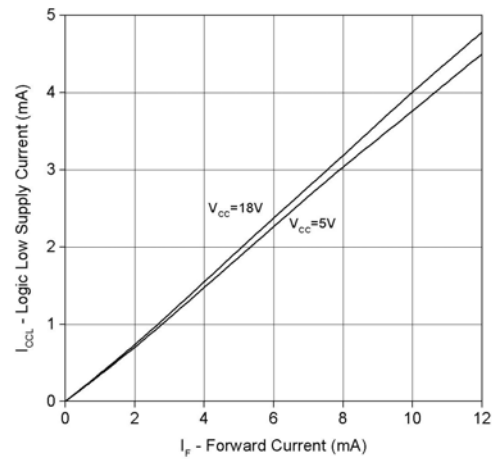
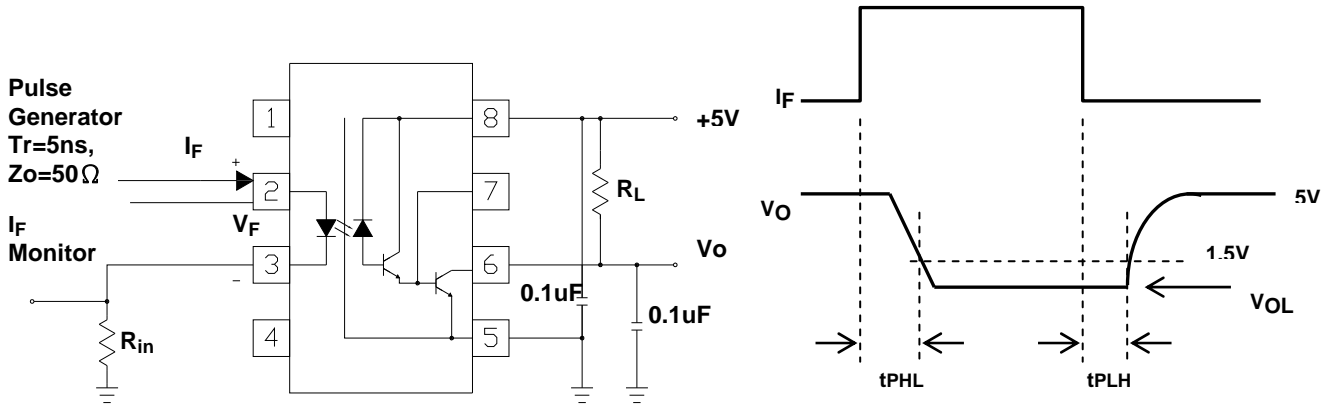


Fig.12 Logic Low Supply Current vs. Input Diode Forward Current

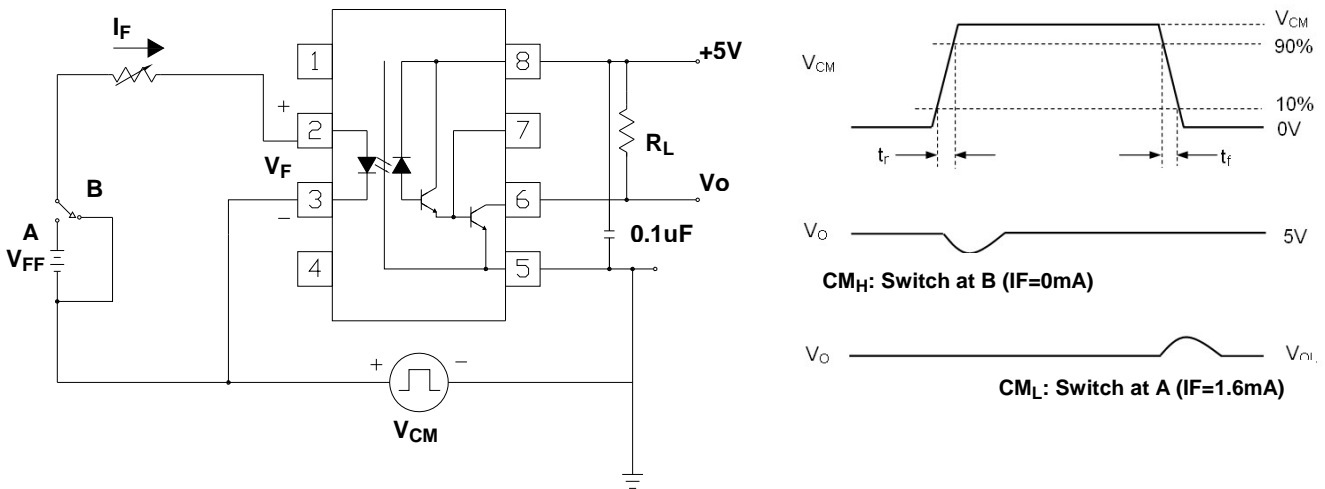


# 8 PIN DIP HIGH SPEED SPLIT DARLINGTON PHOTOCOUPLER

6N138 6N139



**Fig. 13 Switching Time Test Circuit and Waveform**



**Fig. 14 Common Mode Transient Immunity Test Circuit and Waveform**

**Note:**

\*3 Common mode transient immunity in logic high level is the maximum tolerable (positive)  $dV_{cm}/dt$  on the leading edge of the common mode pulse signal  $V_{cm}$ , to assure that the output will remain in a logic high state (i.e.,  $V_O > 2.0V$ ).

Common mode transient immunity in logic low level is the maximum tolerable (negative)  $dV_{cm}/dt$  on the trailing edge of the common mode pulse signal,  $V_{cm}$ , to assure that the output will remain in a logic low state (i.e.,  $V_O < 0.8V$ ).



LIGHTING FOREVER

# 8 PIN DIP HIGH SPEED SPLIT DARLINGTON PHOTOCOUPLER

6N138 6N139

## Order Information

### Part Number

**6N13XY(Z)-V**

### Note

- X = Part No. (X = 8 or 9)
- Y = Lead form option (S, S1, M or none)
- Z = Tape and reel option (TA, TB or none).
- V = VDE (optional)

Option	Description	Packing quantity
None	Standard DIP-8	45 units per tube
M	Wide lead bend (0.4 inch spacing)	45 units per tube
S (TA)	Surface mount lead form + TA tape & reel option	1000 units per reel
S (TB)	Surface mount lead form + TB tape & reel option	1000 units per reel
S1 (TA)	Surface mount lead form (low profile) + TA tape & reel option	1000 units per reel
S1 (TB)	Surface mount lead form (low profile) + TB tape & reel option	1000 units per reel

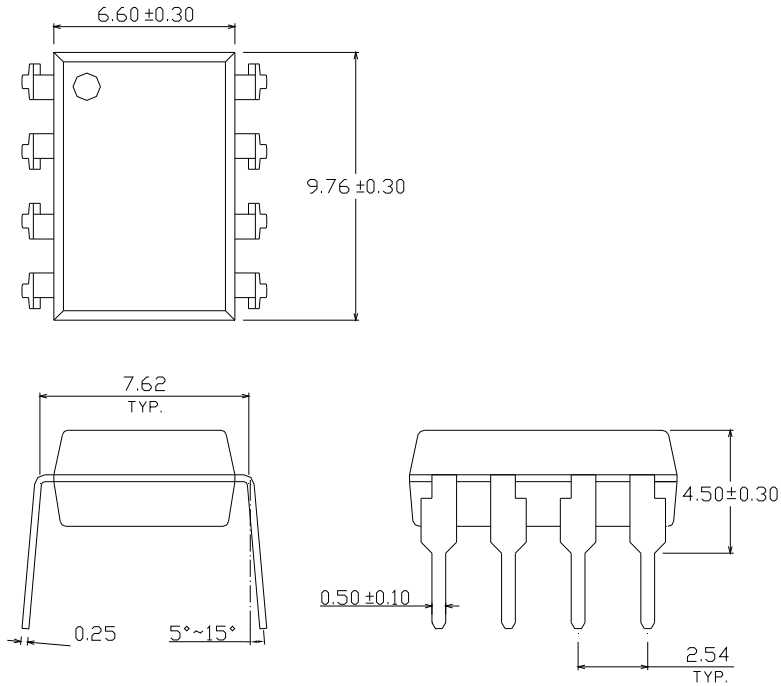


# 8 PIN DIP HIGH SPEED SPLIT DARLINGTON PHOTOCOUPLER

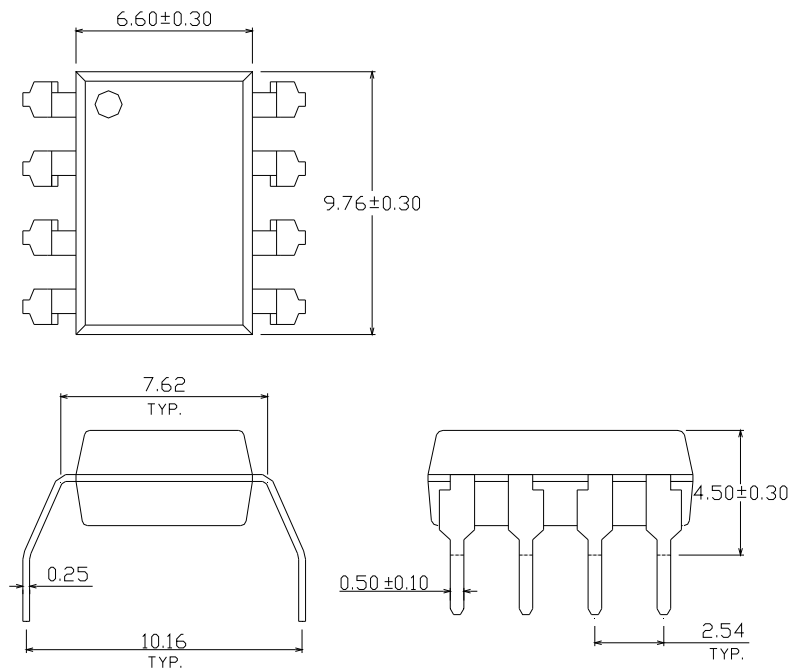
**6N138 6N139**

## Package Drawing (Dimensions in mm)

### Standard DIP Type



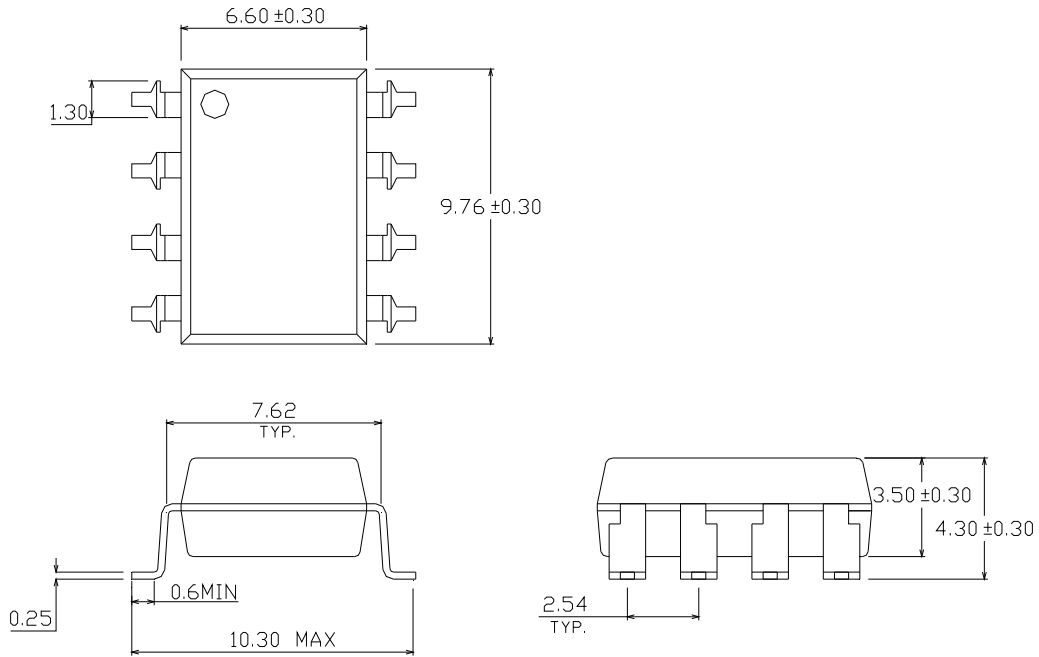
### Option M Type



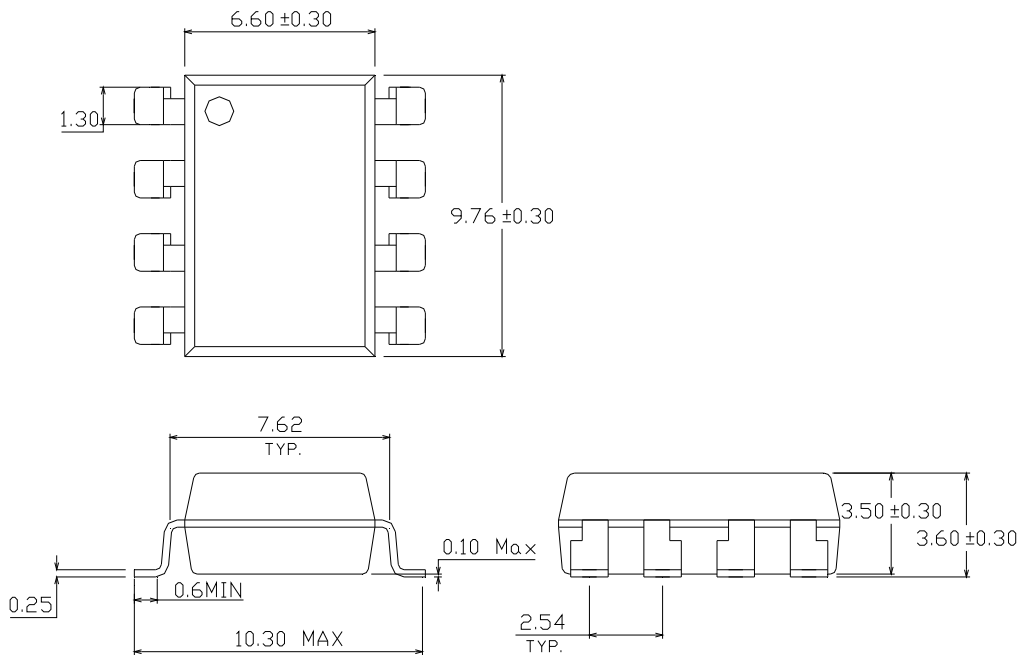
# 8 PIN DIP HIGH SPEED SPLIT DARLINGTON PHOTOCOUPLER

**6N138 6N139**

## Option S Type



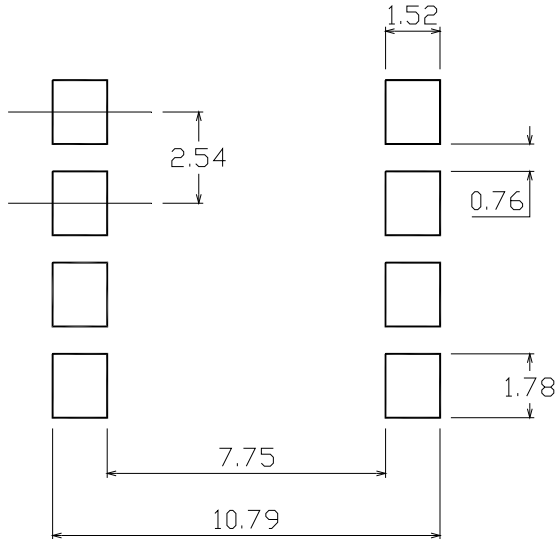
## Option S1 Type



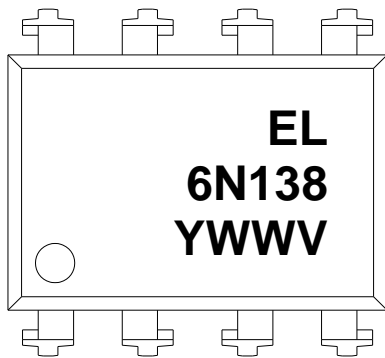
# 8 PIN DIP HIGH SPEED SPLIT DARLINGTON PHOTOCOUPLER

**6N138 6N139**

## Recommended pad layout for surface mount leadform



## Device Marking



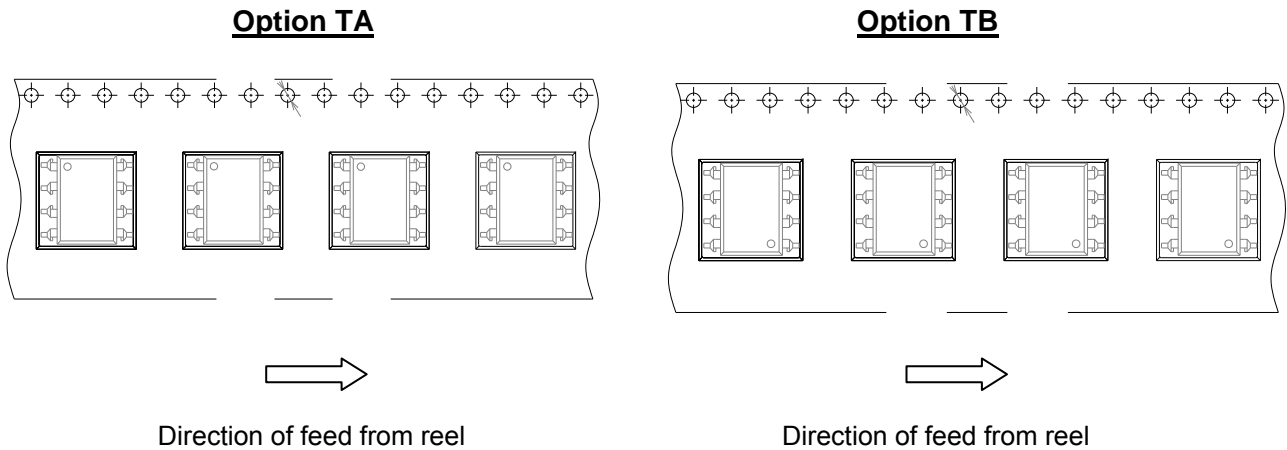
## Notes

- 6N138 denotes Device Number
- Y denotes 1 digit Year code
- WW denotes 2 digit Week code
- V denotes VDE (Optional)

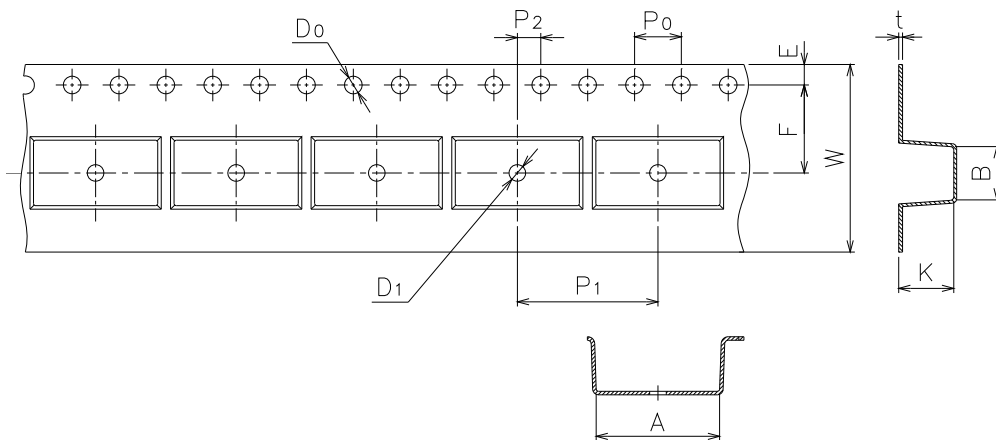
# 8 PIN DIP HIGH SPEED SPLIT DARLINGTON PHOTOCOUPLER

**6N138 6N139**

## Tape & Reel Packing Specifications



## Tape dimensions



Dimension No.	<b>A</b>	<b>B</b>	<b>Do</b>	<b>D1</b>	<b>E</b>	<b>F</b>
Dimension(mm)	10.4±0.1	10.0±0.1	1.5±0.1	1.5±0.1	1.75±0.1	7.5±0.1
Dimension No.	<b>Po</b>	<b>P1</b>	<b>P2</b>	<b>t</b>	<b>W</b>	<b>K</b>
Dimension(mm)	4.0±0.1	12.0±0.1	2.0±0.1	0.4±0.1	16.0+0.3/ -0.1	4.5±0.1

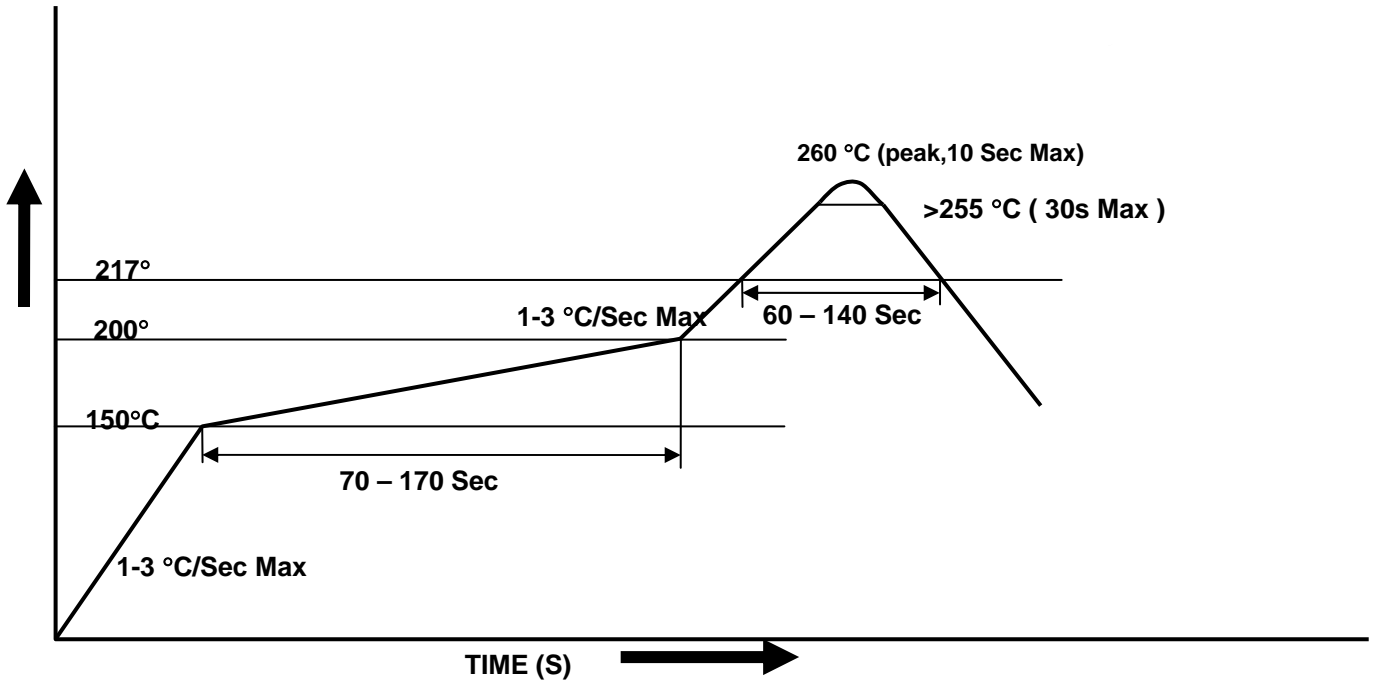


LIGHTING FOREVER

# 8 PIN DIP HIGH SPEED SPLIT DARLINGTON PHOTOCOUPLER

6N138 6N139

## Solder Reflow Temperature Profile





LIGHTING FOREVER

## 8 PIN DIP HIGH SPEED SPLIT DARLINGTON PHOTOCOUPLER

**6N138 6N139**

---

### DISCLAIMER

1. Above specification may be changed without notice. EVERLIGHT will reserve authority on material change for above specification.
2. When using this product, please observe the absolute maximum ratings and the instructions for using outlined in these specification sheets. EVERLIGHT assumes no responsibility for any damage resulting from use of the product which does not comply with the absolute maximum ratings and the instructions included in these specification sheets.
3. These specification sheets include materials protected under copyright of EVERLIGHT corporation. Please don't reproduce or cause anyone to reproduce them without EVERLIGHT's consent.