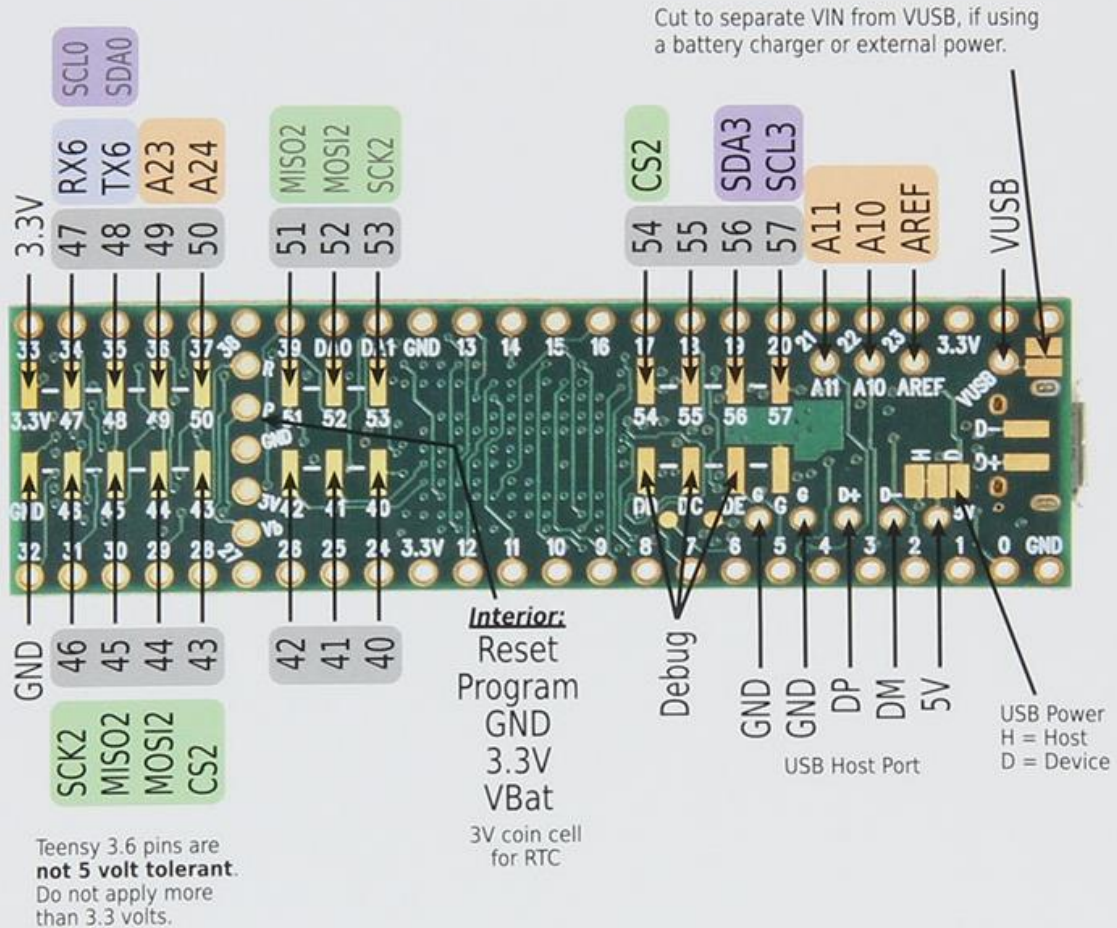


# Teensy<sup>®</sup> 3.6 Back Side

Additional pins and features available on the back side



For solutions to the most common issues and technical support, please visit:

[www.pjrc.com/help](http://www.pjrc.com/help)

Teensy 3.6 System Requirements:  
 PC computer with Windows 7, 8, 10 or later  
 or Ubuntu Linux 12.04 or later  
 or Macintosh OS-X 10.7 or later  
 USB Micro-B Cable

