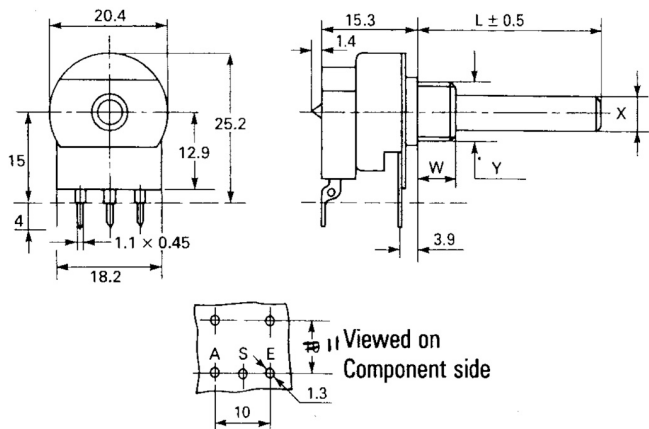




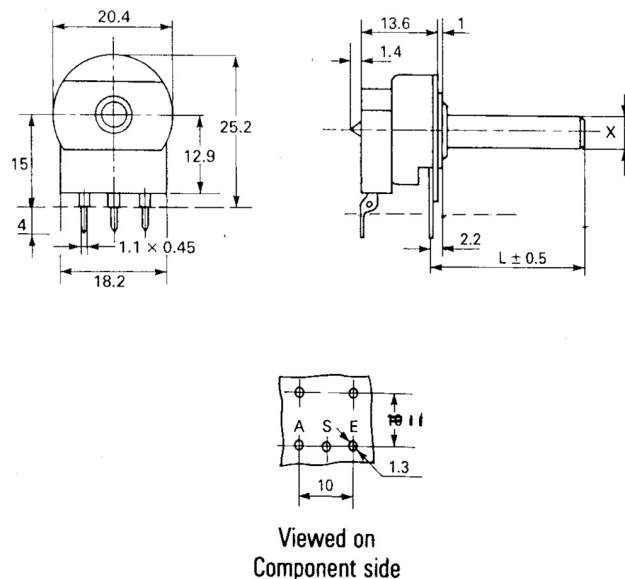
20mm CARBON ROTARY POTENTIOMETERS

SINGLE SWITCHED 1 AMP

PC 20 BU/PC IS

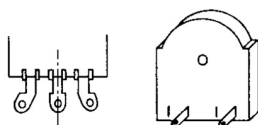


PC 20 SP/PC IS



OW 20 BU/OW IS

As PC 20 BU/PC IS except ordinary wiring tags



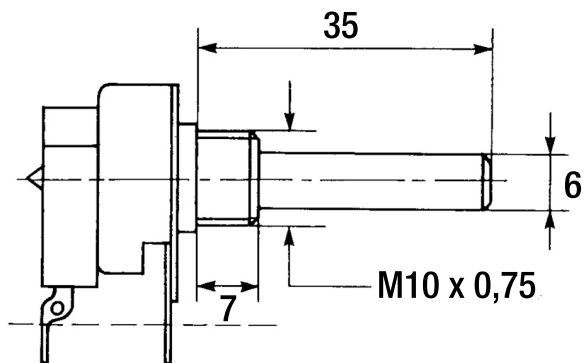
SPINDLE VARIATIONS		BUSH VARIATIONS			
Plastic	X(mm)	Y(mm)	W(mm)*	Type	
Fixed or Plug in	6	M10x0.75	7	C or CP	
			9	C or CEBS	
			9.52x32TPi	7 CBS or CBSL	
			9	CBS	
			12	CBS	
Fixed	4	M10x0.75	7	C or CP	
			M7x0.75	6	C
			9	C or CE	
Fixed	6.35	9.52x32TPi	7	CBS or CBSL	
			9	CBS or CBSL	
			12	CBS or CBSL	

See also Spindle Data Pages See also Bush Data Pages
*±0.5

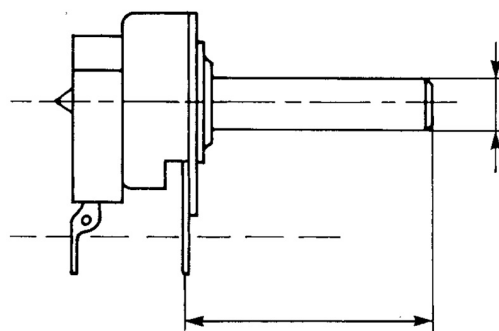
SPINDLE VARIATIONS	
Plastic	X(mm)
Fixed or Plug in	6
Fixed	4
Fixed	6.35

See also Spindle Data Pages

TO ORDER Please photocopy the relevant illustration and detail your own requirements. Please confirm that your order has all the information required by the checklist on the first page of this section.



SPINDLE TYPE CODE _____
TRACK VALUE AND LAW _____



SPINDLE TYPE CODE _____
TRACK VALUE AND LAW _____