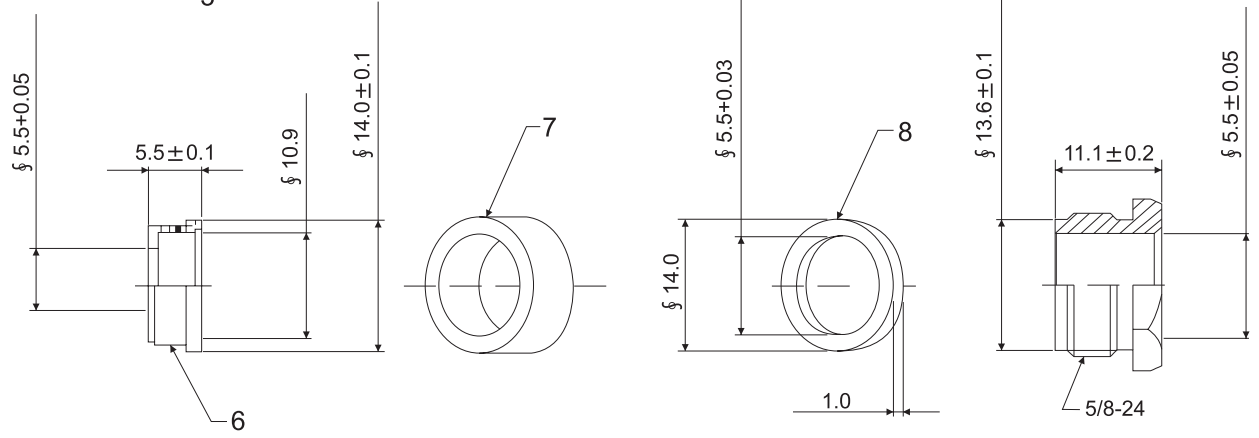
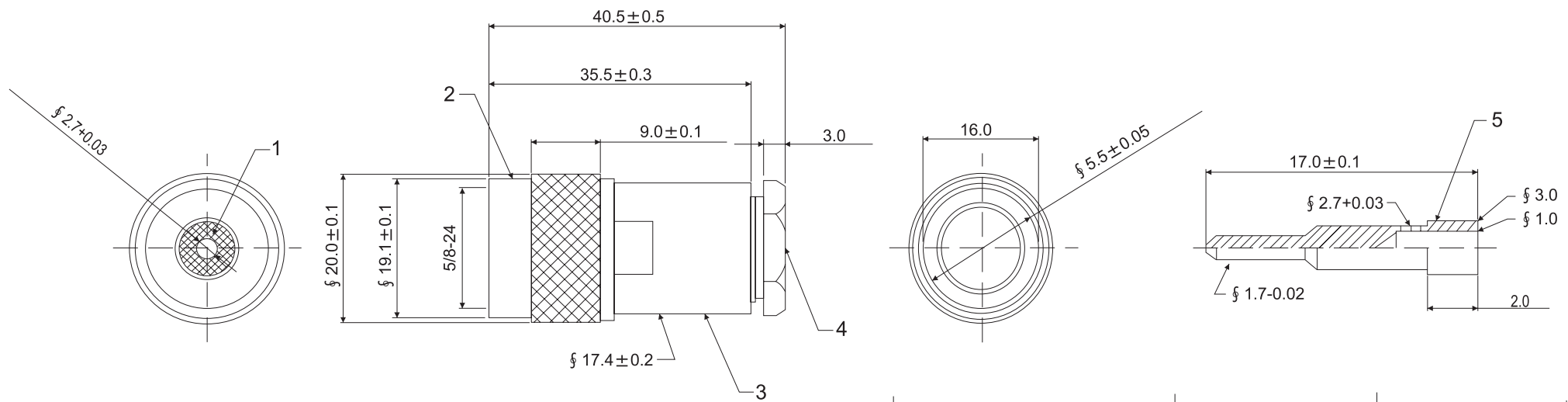


REV	DESCRIPTION	APPROVAL	DATE
A	Initial Release		05.09.20



ITEM	DESIGNATIOIN	MATERIAL
8	WASHER	Cu
7	RUBBER BAND	RUBBER
6	COPPER GRAIN	Cu
5	PIN	Cu
4	BACK COVER	Cu
3	BODY	Cu
2	SHELL	Cu
1	DIELECTRIC	POM

TOLERANCE	
0-10	± 0.05
10-100	± 0.5
100-1000	± 10.0
1000-10000	± 100.00
10000-100000	± 1000.00

TITLE: N Male Clamp Type (RG-58U)				DRAWN BY	
				CHECKED	
PART NO: NM02N0412E-58				APPROVED	
File Number:				DRAW NO	
SCALE	1:1	REV	A	UNIT	mm