

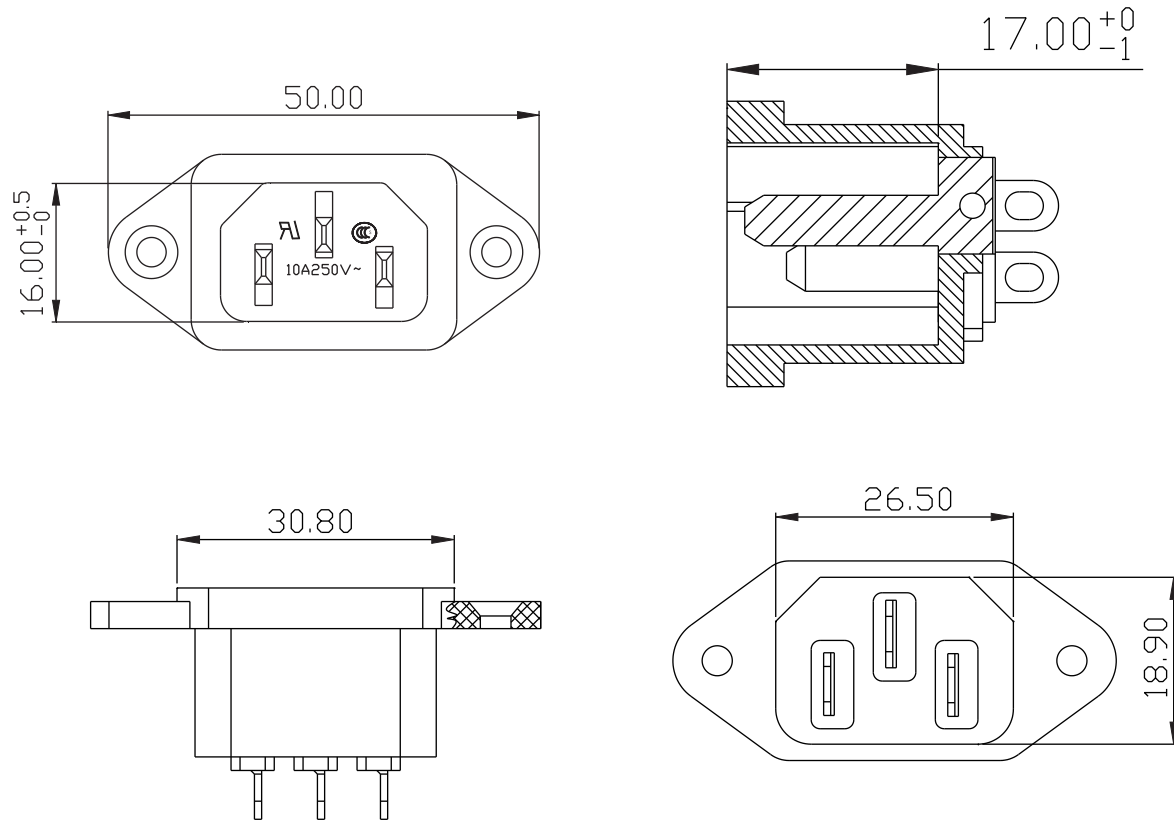
REV	DESCRIPTION	DATE
A	Initial Release	15.05.08


SPECIFICATIONS

- **RATING : 10A / 250V AC**
15A / 250V AC
- **APPROVALS : UL/CSA/VDE/ CCC**
DEMKO /SEMKO/KC
FI / NEMKO/BSMI



ACM-301-A-FB-Y14



 PANSTRONG COMPANY LTD.		DRAWN BY	TOMMY
		CHECKED	
TITLE:	POWER CONNECTOR		APPROVED
PART NO:	ACM-301-A-FB-Y14		DRAWING NO.
SCALE	/	REV	A
UNIT	mm	