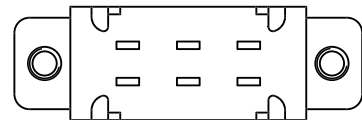
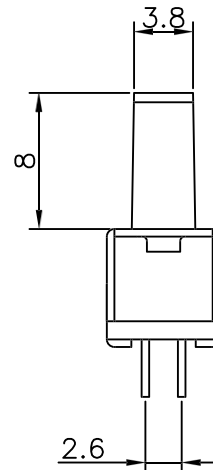
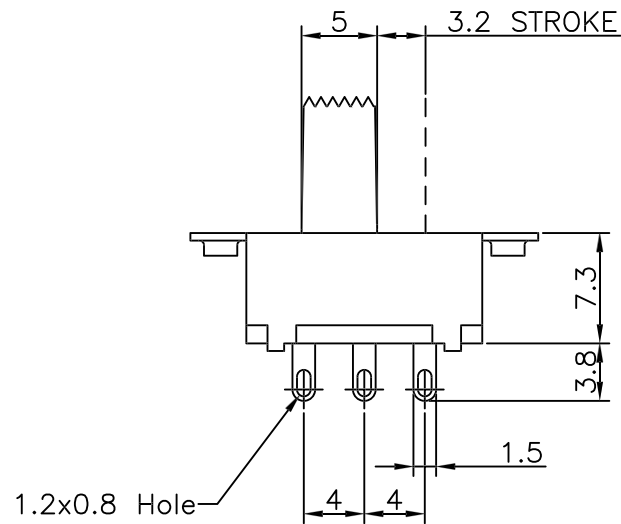
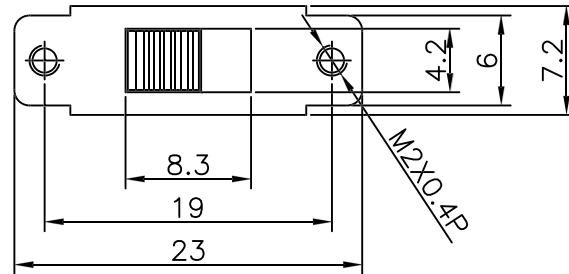


CUSTOMER	BD003	FILE NO.	D03-047
----------	-------	----------	---------

THIS DRAWING AND SPECIFICATIONS, HEREIN ARE THE CONFIDENTIAL PROPERTY OF AND SHALL NOT BE REPRODUCED OR COPIED OR DISCLOSED IN WHOLE OR IN PART WITHOUT WRITTEN PERMISSION.

REV.	DESCRIPTION	DRAWN / DATE	APPROVED / DATE
0	INITIAL RELEASE	FROS 04/06/2011	FROS 04/06/2011



SPECIFICATION:
 MECHANICAL STRUCTURE:
 OPERATION: 400±200g
 LIFE TEST 10,000 CYCLE AFTER:-
 CONTACT RESISTANCE: LESS 50mΩ
 CHANGE FO SWITCHING ±20%

ELECTRICAL STRUCTURE
 RATING: AC125V 0.3A
 CONTACT RESISTANCE: LESS 20mΩ
 INSULATION RESISTANCE: THAN 100MΩ/DC500V
 WITHSTAND VOLTAGE: AC500V 50~60HZ/1.MIN

DIMENSIONS ARE IN mm [INCH]	TOLERANCES ARE FRACTIONS DECIMALS ANGLES	MATERIAL	6 PIN SLIDE SWITCH DPDT HIGH: 8mm	P/N	088322	DRAWN	FROS	DATE	04/06/2011	
MOLD NO.	.x ± 0.20 [0.008] .xx ± 0.12 [0.005]	FINISH		PROJECT NO.						
D03-047		COLOR		SCALE	2/1	SIZE	A4	SHEET	1 OF 1	