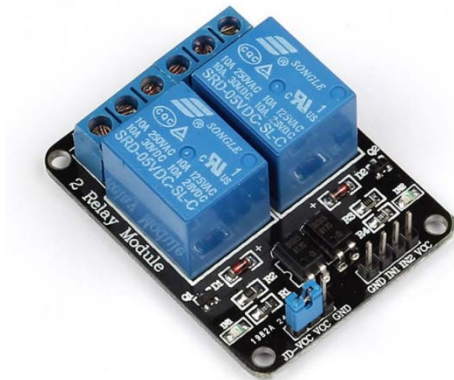


## 2 Channel 5V Relay Module



This is a LOW Level 5V 2-channel relay interface board, and each channel needs a 15-20mA driver current. It can be used to control various appliances and equipment with large current. It is equipped with high-current relays that work under AC250V 10A or DC30V 10A. It has a standard interface that can be controlled directly by microcontroller.

### Feature:

Relay Maximum output: DC 30V/10A, AC 250V/10A

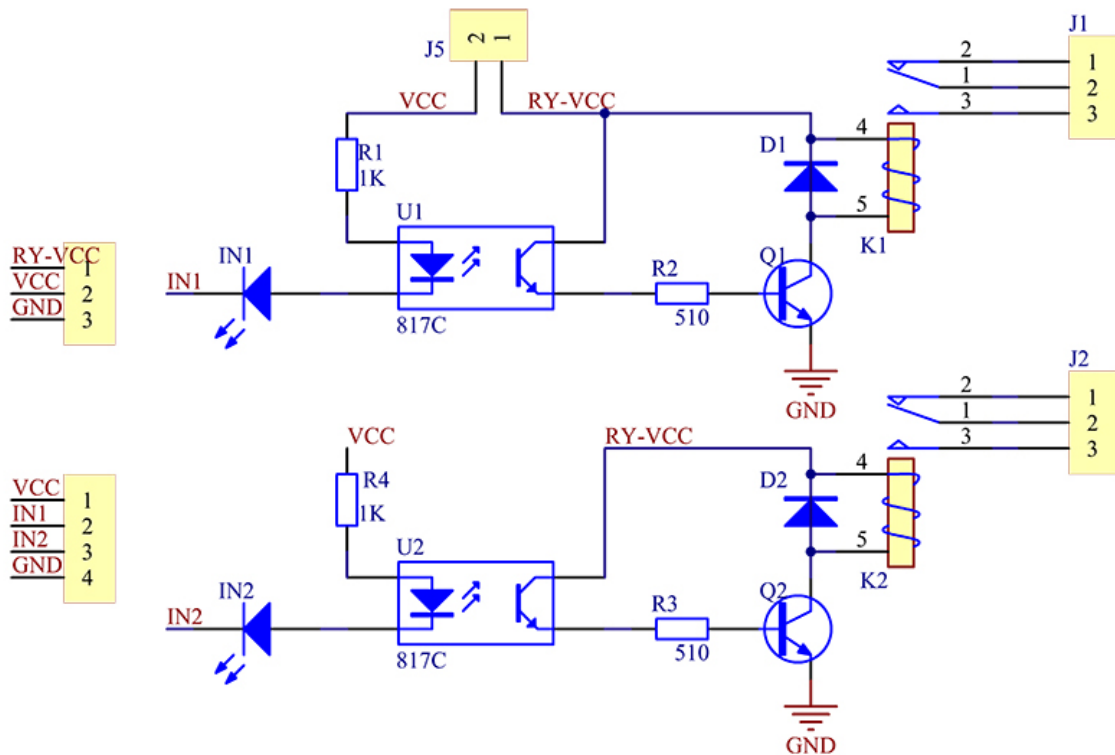
2 Channel Relay Module with Optocoupler LOW Level Triger expansion board, which is compatible with arduino

Standard interface that can be controlled directly by microcontroller ( 8051, AVR, \*PIC, DSP, ARM, ARM, MSP430, TTL logic)

Relay of high quality loose music relays SPDT. A common terminal, a normally open, one normally closed terminal

optocoupler isolation, good anti-jamming

## Schematic



## Input:

VCC : Connected to positive supply voltage (supply power according to relay voltage)

GND : Connected to negative supply voltage

IN1: Signal triggering terminal 1 of relay module

IN2: Signal triggering terminal 2 of relay module

## Output:

Each submodular of the relay has one NC(normalclose), one NO(normalopen) and one COM(Common). So there are 2 NC, 2 NO and 2 COM of the channel relay in total. NC stands for the normal close port contact and the state without power; No stands for the normal open port contact and the state with power. COM means the common port. You can choose NC port or NO port according to whether power or not.

## Example:

Hardware connection as below:

2 channel relay-----Arduino ATmega2560

IN1----- 4

IN2----- 5

\*\*\*\*\* Code Begin\*\*\*\*\*

```
int IN1 = 4;
```

```
int IN2 = 5;
```

```
#define ON 0
```

```
#define OFF 1
```

```
void setup()
```

```
{
```

```
    relay_init();//initialize the relay
```

```
}
```

```
void loop() {
```

```
    relay_SetStatus(ON, OFF);//turn on RELAY_1
```

```
    delay(2000);//delay 2s
```

```
    relay_SetStatus(OFF, ON);//turn on RELAY_2
```

```
    delay(2000);//delay 2s
```

```
}
```

```
void relay_init(void)//initialize the relay
```

```
{
```

```
    //set all the relays OUTPUT
```

```
    pinMode(IN1, OUTPUT);
```

```
    pinMode(IN2, OUTPUT);
```

```
    relay_SetStatus(OFF, OFF); //turn off all the relay
```

```
}
```

```
//set the status of relays
```

```
void relay_SetStatus( unsigned char status_1, unsigned char status_2)
```

```
{
```

```
    digitalWrite(IN1, status_1);
```

```
    digitalWrite(IN2, status_2);
```

```
}
```

\*\*\*\*\* Code End\*\*\*\*\*