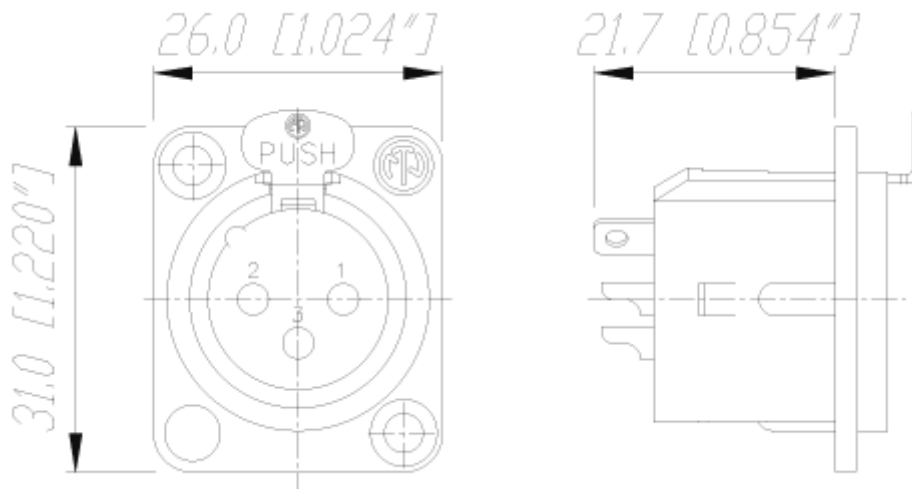


**NC3FD-L-1**

3 pole female receptacle. Cups for wire soldering. Nickel housing and silver contacts.

**XLR Chassis Connectors / DL Series**

Unified metal shell for male and female. RF-protected. Solder cups, or PCB terminations (4 and 5 pole only). UL recognized component.

TECHNICAL DATA

Electrical

Number of contacts: 3 - 7

Rated voltage:

3 - 6 pole: 250 V ac

7 pole: 125 V ac

Contact resistance: < 5 m Ω

Insulation resistance - initial: > 2 G Ω

- after damp heat test: > 1 G Ω (IEC 68-2-30)

Dielectric strength: 1500 V dc

Mechanical

Lifetime: > 1000 mating cycles

Insertion / withdrawal force: < 20 N

Retention method (Female versions only): - standard: latch lock

- '0' version: retention spring

Separating force: > 20 N

Rated current:

3 pole: 16 A

4 pole: 10 A

5 and 6 pole: 7.5 A

7 pole: 5 A

AWG:

3 pole: 2.5 mm²/14 AWG

4 pole: 1.5 mm²/16 AWG

5 und 6 pole: 1.0 mm²/18 AWG

7 pole: 1.0 mm²/18 AWG

Capacitance between contacts

3 pole: 4 pF

4 pole: 7 pF

5 und 6 pole: 7 pF

7 pole: 8 pF

7 pole: 9 pr

Materials

Shell: ZnAl4Cu1, gal Ni or black Cr plating

Insert: PA 6.6 30% GR (glass reinforced)

Contacts: - female (4-7pole) & male: CuZn39Pb3

Contact surface: gal 2 μm Ag or gal 0.2 μm Au hard alloy over 2 μm Ni

Latch lock & spring: CK 67 steel, treated

Environmental

Temperature range: -30° C to + 80° C

Flammability: UL 94HB

Solderability: complies with IEC 68-2-20

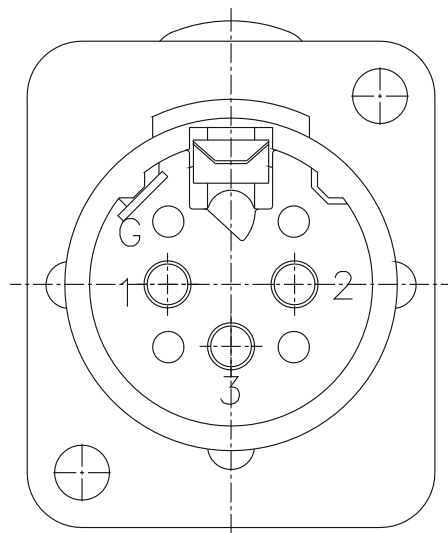
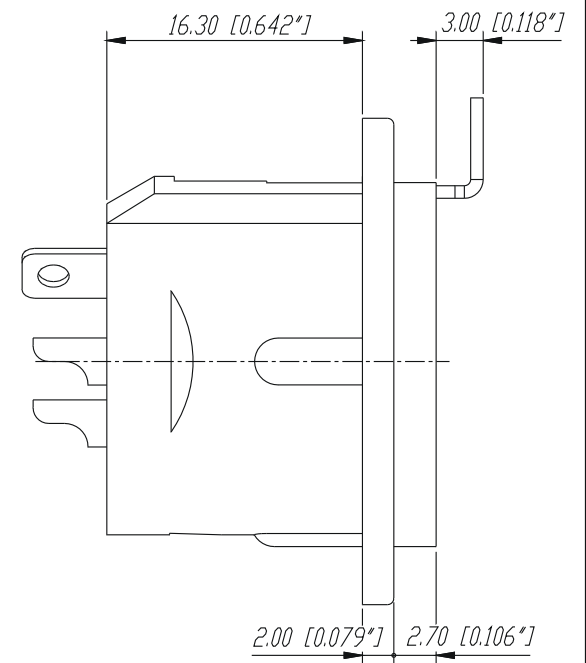
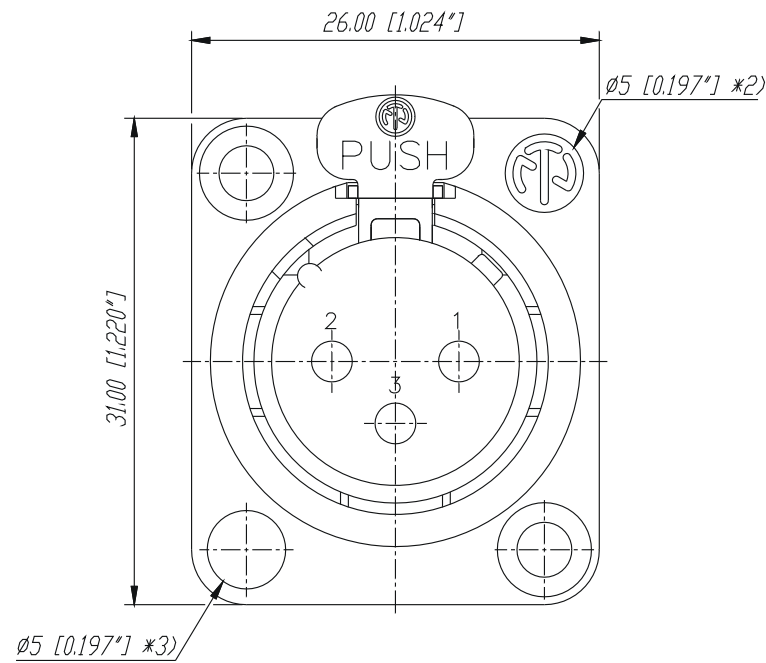
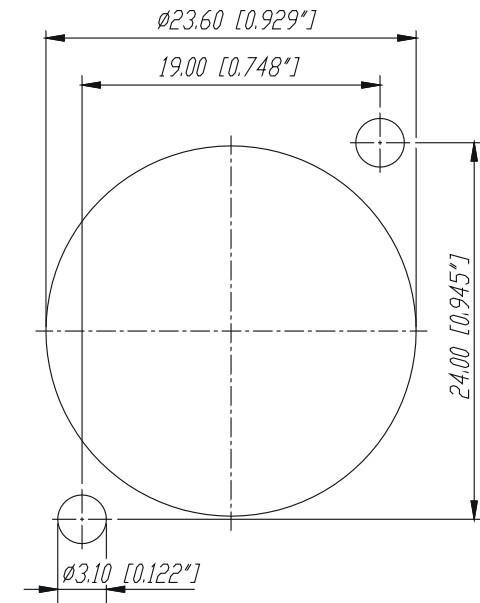
Compatibility:

PCB versions (4 & 5 pole):

horizontal PCB mounting, fastening by chassis mounting holes with M3 threads or by self tapping PT® screws with thread 2.9x1.06 (tri-rondular) direct to PCB

Frontplattenausschnitt (Rückseite)

Panel cut out (rear side)



*2) Feld 0.30 vertieft, Schrift 0.20 erheben
 *3) Feld 0.30 vertieft, Verdrehsicherung für Auswerfer mit NT-Zeichen (Option) vorsehen.

				Werkstoff:	Maßstab:	Datum	Name	
				*Lieferant darf ohne Rücksprache nicht geändert werden Zeichnung urheberrechtlich geschützt (DIN 34) (C)	3:1	Gezeichnet	06.07.89	Mart.
						Gesehen		
				Benennung:		Ersetzt durch:	Blatt	
B	Aktuelles Gehäuse	27.02.98	Alinjak	NC3FDL-1		Ersetzt fuer:	von Blatt	
A	3:1, Toleranzen	11.04.96	Dobler					
				NEUTRIK AG FL-9494 SCHAAN		Zeichn. Nr.	3102 St 10 10	
Ind.	Aenderung	Datum	Name					