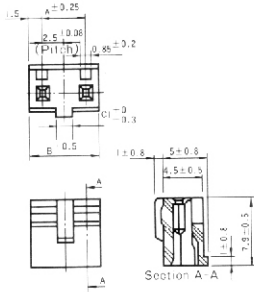


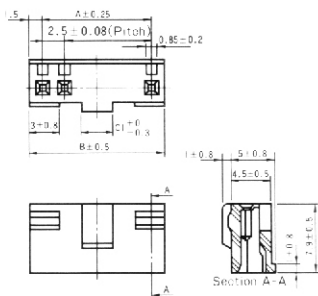
### SOCKET HOUSING

P/N: IL-G-\*S-S3C2  
(\*=number of contacts)

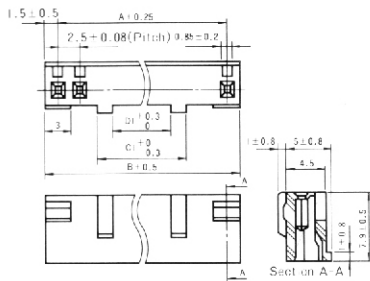
- 2, 3 contact



- 4~6 contact



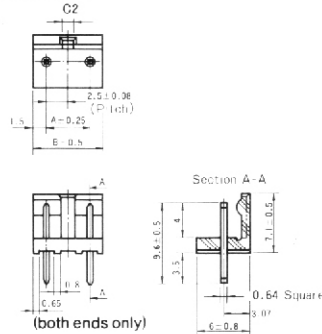
- 7~15 contact



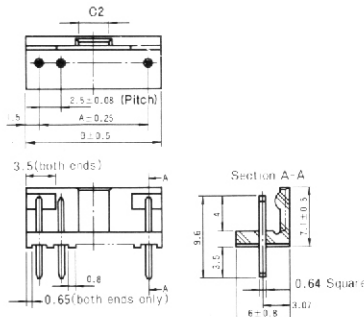
### STRAIGHT PIN HEADER

P/N: IL-G-\*P-S3T2-E  
(\*=number of contacts)

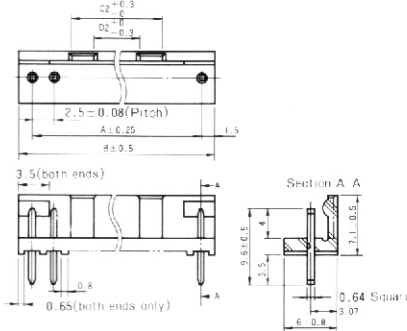
- 2, 3 contact



- 4~6 contact



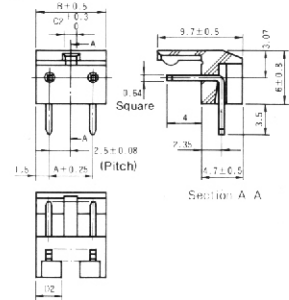
- 7~15 contact



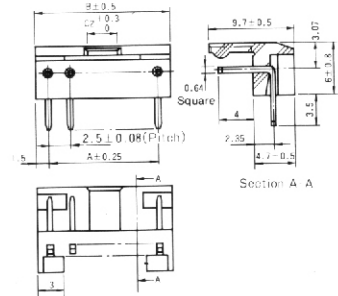
### ANGLE PIN HEADER

P/N: IL-G-\*P-S3L2-E  
(\*=number of contacts)

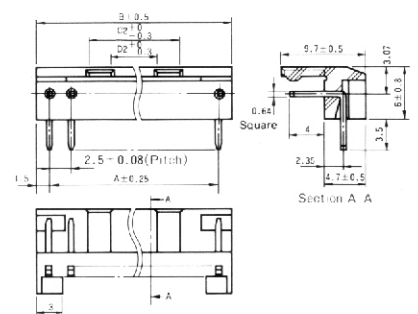
- 2, 3 contact



- 4~6 contact



- 7~15 contact



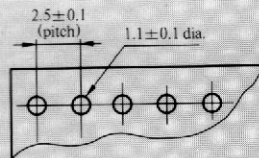
(Conguration of 13, 14 & 15-contact layouts are slightly different)

No. of contacts	A±0.25	B±0.5	C1±0.3	C2±0.3	D1±0.3	D2±0.3	Terminal No. on housing
2	2.5	5.5	1.4	1.5	—	1.7	1
3	5	8	1.9	2	—	3	1
4	7.5	10.5	2.4	2.5	—	—	1
5	10	13	2.9	3	—	—	1, 5
6	12.5	15.5	3.4	3.5	—	—	1, 5, 6
7	15	18	5.9	6	2.5	2.4	1, 5, 6
8	17.5	20.5	8.4	8.5	5	4.9	1, 5, 6, 8
9	20	23	10.9	11	7.5	7.4	1, 5, 6, 8
10	22.5	25.5	13.4	13.5	10	9.9	1, 5, 6, 8, 10
11	25	28	15.9	16	12.5	12.4	1, 5, 6, 8, 10
12	27.5	30.5	18.4	18.5	15	14.9	1, 5, 6, 8, 10, 12
13	30	33	20.9	21	17.5	17.4	1, 5, 6, 8, 10, 12
14	32.5	35.5	23.4	23.5	20	19.9	1, 5, 6, 8, 10, 12
15	35	38	25.9	26	22.5	22.4	1, 5, 6, 8, 10, 12, 15

\* Terminal No. on housing  
(viewed from contact insertion side)



\* PCB Mounting hole  
(PCB thickness: 1.6~2.6mm)



### INSTALLATION

Right-angle pin header must be installed on an edge of the board as shown below:

