

# DIGITAST Microminiature SPDT, Key Switches



### Features/Benefits

- High reliability / long life
- Designed for low level switching
- Ready to implement on PCB
- Latching function available
- Several button options

### Typical Applications

- Medical
- Instrumentation
- Industrial electronics
- Audio electronics

### Construction

FUNCTION: momentary or push-push  
 CONTACT ARRANGEMENT: 1 change over contact SPDT, NO  
 MODE OF SWITCHING: Non-shorting  
 DISTANCE BETWEEN BUTTON CENTERS:  
     HORIZONTAL MINIMUM: 12,7 (0.500) or 17,78 (0.700)  
     VERTICAL MINIMUM: 17,78 (0.700)  
 TERMINALS: PC pins  
 MOUNTING: Soldering, centering pins

### Mechanical

TOTAL TRAVEL: ≤ 3 (.0018)  
 SWITCHING TRAVEL: 1,5 (0.0591)  
 LATCHING TRAVEL: 1,8 (0.0709)  
 OPERATING FORCE: 1.5 +/- 0.5 N (150 +/- 50 grams)

### Process

SOLDERABILITY: Sealed contacts  
 Max. soldering time and temperature: 5 s at 260°C

### Electrical

SWITCHING POWER MAX.: 240 mW DC  
 SWITCHING VOLTAGE MAX.: 24 V DC  
 SWITCHING CURRENT MAX.: 10 mA DC  
 SPACING CURRENT AT 20°C (push-push version): 100 mA  
 DIELECTRIC STRENGTH (50 Hz, 1 min): 500 V  
 OPERATING LIFE with or without max. switching power  
     Momentary: ≥ 5 x 10<sup>6</sup> operations  
     Push-push: ≥ 5 x 10<sup>5</sup> operations  
 CONTACT RESISTANCE: Initial ≤ 50 mΩ  
     After 5 x 10<sup>6</sup> operations: ≤ 100 mΩ  
 INSULATION RESISTANCE: ≥ 10<sup>10</sup> Ω  
 CAPACITANCE at f= 10 kHz: ≤ 0.8pF  
 BOUNCE TIME: ≤ 2.5 ms  
     Operating speed 400 mm/s (15.75/s)

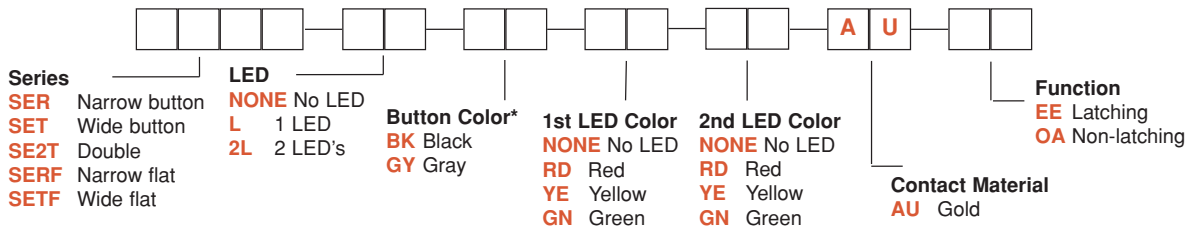
### Environmental

OPERATING TEMPERATURE: -25°C to 85°C.

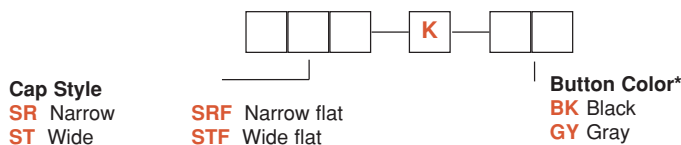
### How To Order

Our easy build-a-switch concept allows you to mix and match options to create the switch you need. To order, select desired option from each category and place it in the appropriate box.

#### Switch with Button



#### Button Only



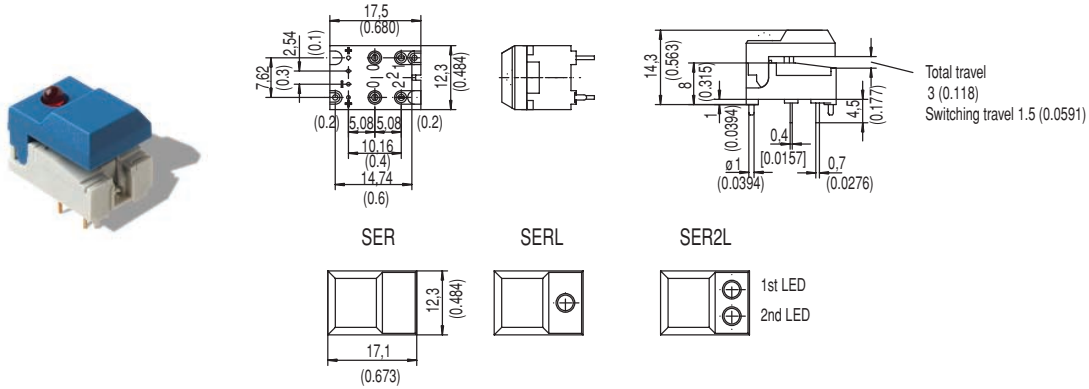
\* Additional button colors available by request



# DIGITAST Microminiature SPDT, Key Switches

## DESIGNATION

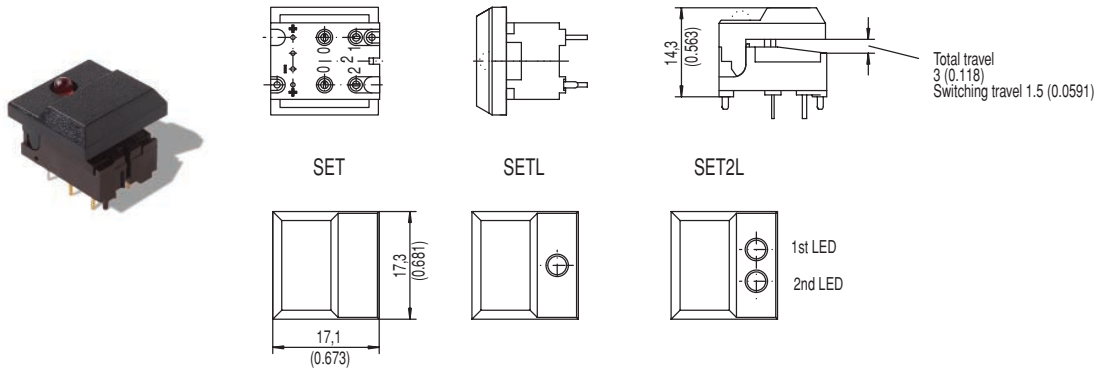
**SER** Narrow button



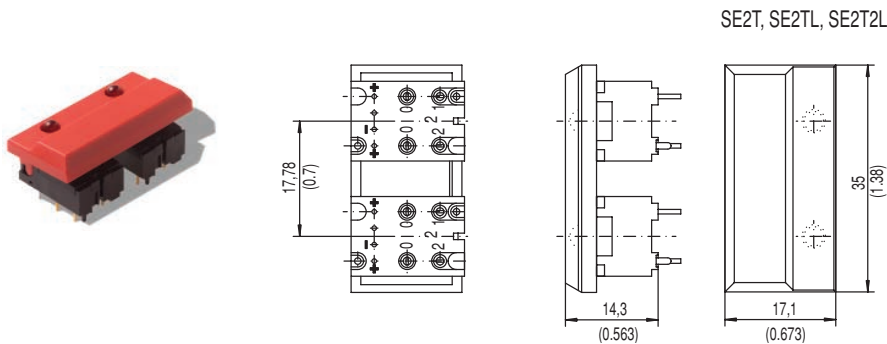
**SET** Wide button



Key Switches



**SE2T** Double

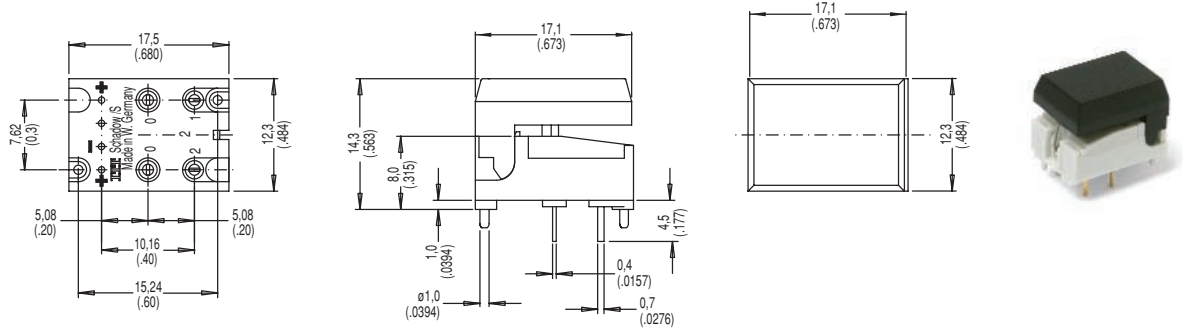


Dimensions shown in: mm (inch)  
Dimensions subject to change

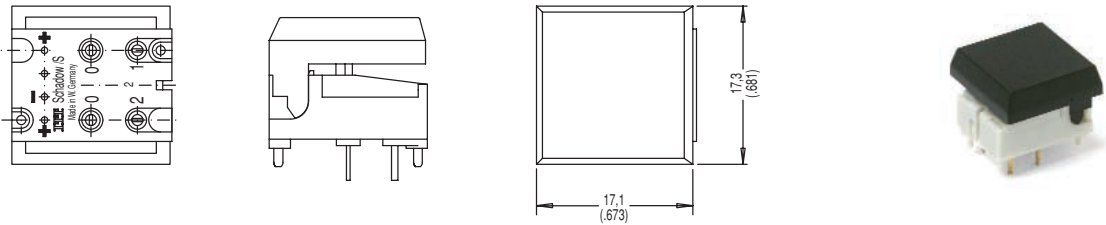
# DIGITAST Microminiature SPDT, Key Switches

DESIGNATION 

## SERF Narrow flat

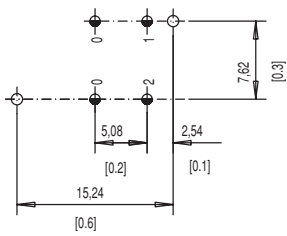


## SETF Wide flat

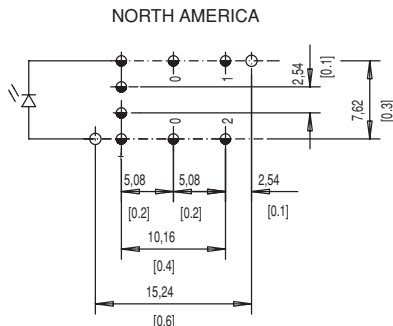


LED 

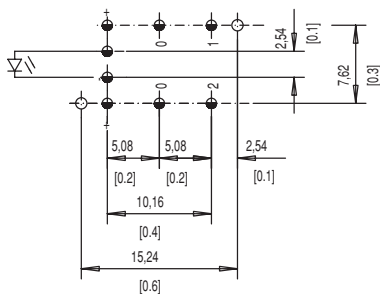
## NONE No LED



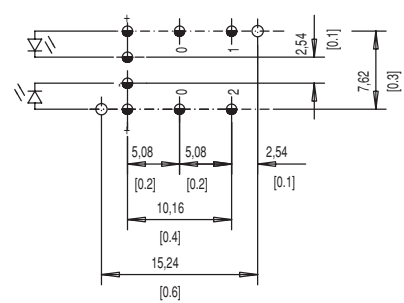
## L 1 LEDs



## EUROPE



## 2L 2 LEDs



ø 1.0±0.1 (0.0394±0.00349)



D

Key Switches

# DIGITAST

## Microminiature SPDT, Key Switches

### BUTTON COLOR

**BK** Black

**GY** Gray

Other button colors available by request (red (RD), green (GN), white (WH), yellow (YE), blue (BU), orange (OG)).

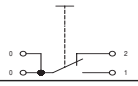
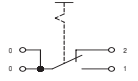
### LED COLOR

OPTION CODE	COLOR
<b>NONE</b>	Models without LED
<b>RD</b>	Red
<b>GN</b>	Green
<b>YE</b>	Yellow

### CONTACT MATERIAL

OPTION CODE	MATERIAL
<b>AU</b>	Gold

### FUNCTION

OPTION CODE	COLOR	SCHEMATIC
<b>OA</b>	Momentary	
<b>EE</b>	Push-Push	



D

Key Switches