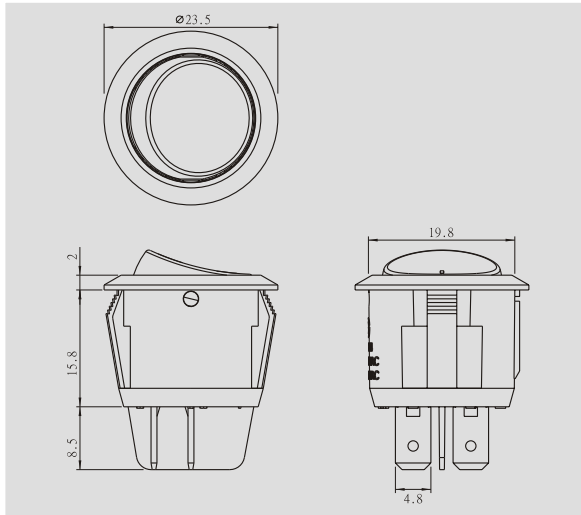


# R13-244



<b>Rating</b>
16A 125V AC 10A 250V AC
<b>Contact resistance</b>
50mΩ Max
<b>Insulation resistance</b>
DC 500V 100MΩ Min
<b>Dielectric strength</b>
AC 1500V 1 minute
<b>Cut-out</b>
3 mm max

## FEATURES

- \* MATERIAL: Frames are nylon (UL flame: 94V-2). Terminals are silver plated brass.
- \* Illuminated actuators are molded in PC, available with red, amber, and green colors.
- \* Snap-in mounting, easy to install switch into panel.
- \* Waterproof cover is optional.

## R13-244 -

FUNCTION		TERMINAL
<b>A</b>  ON OFF 4P DPST	<b>G</b>  ON (ON) 6P DPDT	<b>0 2</b> .187" SQ
<b>B</b>  ON OFF 4P DPST <b>(ILLUMINATED)</b> 125VAC 33KΩ / 250VAC 150KΩ	<b>H</b>  ON OFF (ON) 6P DPDT	
<b>C</b>  ON ON 6P DPDT	<b>I</b>  (ON) OFF (ON) 6P DPDT	
<b>D</b>  ON OFF ON 6P DPDT	* ( ) = momentary	

