

SPST Momentary Key Switches



Features/Benefits

- Easy X, Y coding on single side PCB
- Positive tactile feedback
- High temperature type available
- Wide variety of colors & styles
- RoHS compliant and compatible

Typical Applications

- Automotive
- Video
- Electronic games
- Appliances

Construction

FUNCTION: momentary
 CONTACT ARRANGEMENT: 1 make contact (SPST), NO
 DISTANCE BETWEEN BUTTON CENTERS, MIN.: 12,7 (0.500)
 TERMINALS: PC pins

Electrical

SWITCHING POWER MAX.: 6 VA
 SWITCHING VOLTAGE MAX.: 32 V DC
 SWITCHING CURRENT MAX.: 100 mA DC
 DIELECTRIC STRENGTH (50 Hz / 1 min): 1000 V
 OPERATING LIFE with max. switching power: (10⁶ operations)
 CONTACT RESISTANCE: ≤100 mΩ
 INSULATION RESISTANCE: ≥10¹¹ Ω
 BOUNCE TIME: ≤ 3 ms

Mechanical

SWITCHING TRAVEL: 0,8 ± 0,2 (0.0301 ± 0.0078)
 OPERATING FORCE: 1.3 N ± 30% (130 grams ± 30%)

Environmental

OPERATING TEMPERATURE: -20°C to 85°C.

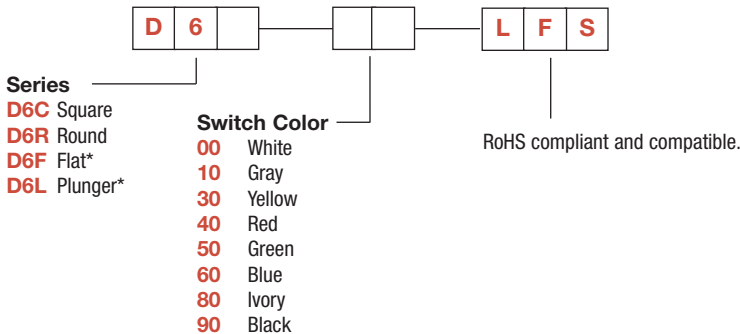
Process

SOLDERABILITY:
 Hand soldering: 350°C for 3 seconds
 Wave or bath soldering: 260°C for 5 seconds
 Cleaning: Use solvents compatible with ABS

How To Order

Our easy build-a-switch concept allows you to mix and match options to create the switch you need. To order, select desired option from each category and place it in the appropriate box.

Switch

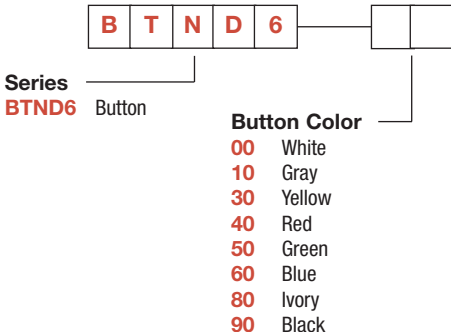


*Available in black only.

Button

Buttons can be ordered separately.
 Shipped in bulk.

D6 button for use with D6C only.



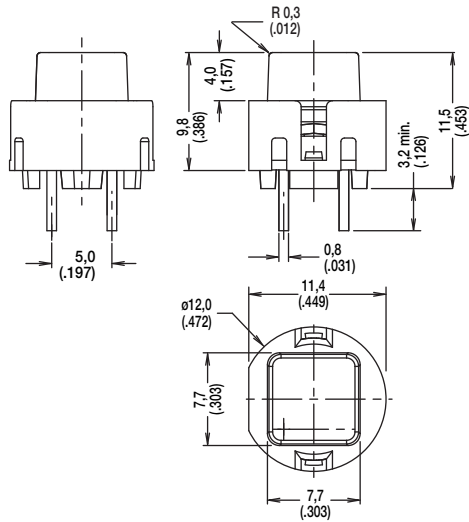
Dimensions are shown: mm (inch)
 Specifications and dimensions subject to change



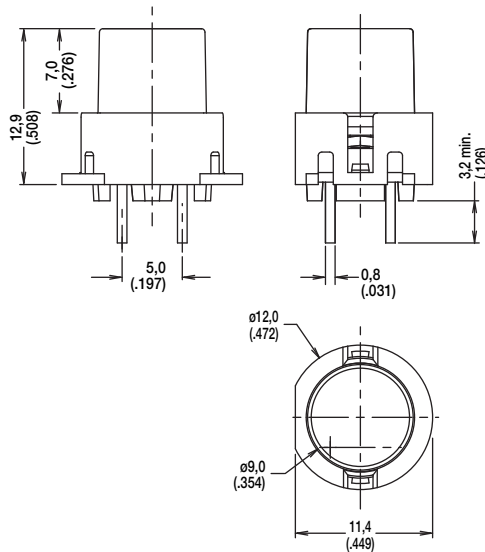
D6 SPST Momentary Key Switches

SERIES 

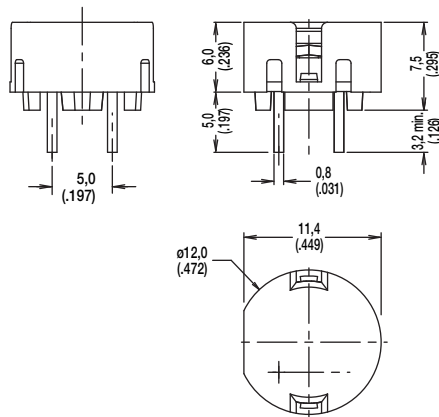
D6C



D6R



D6F ONLY AVAILABLE IN BLACK



Key Switches



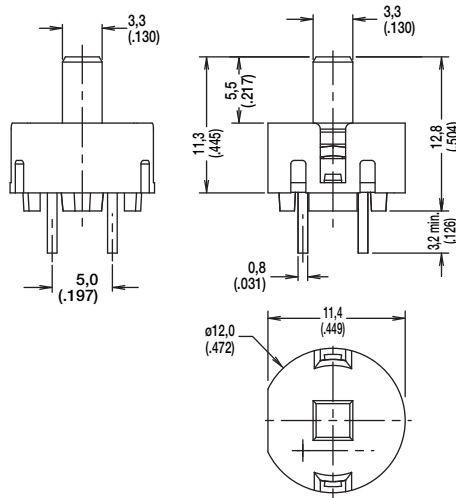
Dimensions are shown: mm (inch)
Specifications and dimensions subject to change

www.ittcannon.com

SPST Momentary Key Switches

SERIES 

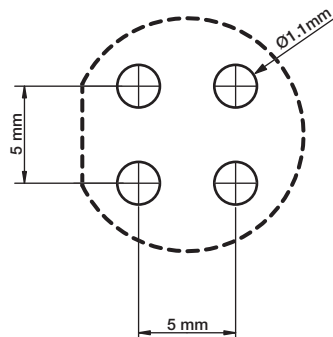
D6L ONLY AVAILABLE IN BLACK



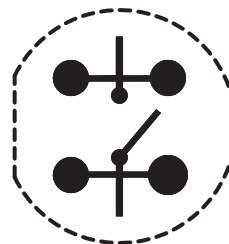
SWITCH COLORS 

OPTION CODE	SWITCH COLOR
00	WHITE
10	GRAY
30	YELLOW
40	RED
50	GREEN
60	BLUE
80	IVORY
90	BLACK

PCB Layout



Electrical Diagram



First Angle Projection

Dimensions are shown: mm (inch)
Specifications and dimensions subject to change

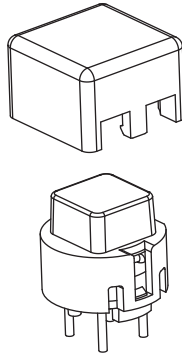
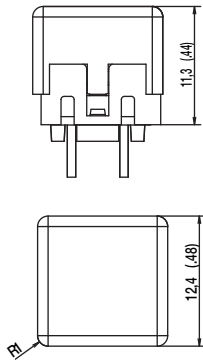


D6 SPST Momentary Key Switches

BUTTON AVAILABLE

BTND6 Buttons must be ordered separately. Shipped in bulk.

NOTE: Only compatible with D6C.



OPTION CODE	BUTTON COLOR
00	WHITE
10	GRAY
30	YELLOW
40	RED
50	GREEN
60	BLUE
80	IVORY
90	BLACK



Key Switches