

Specifications

Locking technology: Click-Lock
 Protection level: IP65 / IP67
 For M24 outlets
 Durability: > 1700 mating cycles
 Operating temperature: -40 °C to +80 °C
 Line diameter scope: 8 - 12 mm
 Contact diameter: 3 mm
 Number of contacts: 3
 Contacts for soldering and screwing
 Insertion force: max. 4,5 N
 Current rating: 25 A
 Temperature rise: 20 A per contact at 30 °C
 25 A per contact at 40 °C
 30 A per contact at 50 °C
 Operating voltage (AC.V.rms): 500 V
 Withstand voltage (AC.V) 1 min: 2500 V
 Contact resistance: < 1 mΩ
 Insulation resistance: > 500 MΩ

Material

Shell & insulated parts:
 - High performance engineer plastic

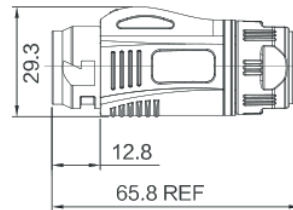
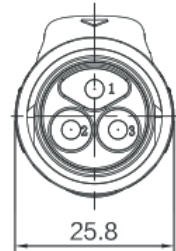
 Contacts: Copper alloy (gold plated)

 Sealing: Silica gel

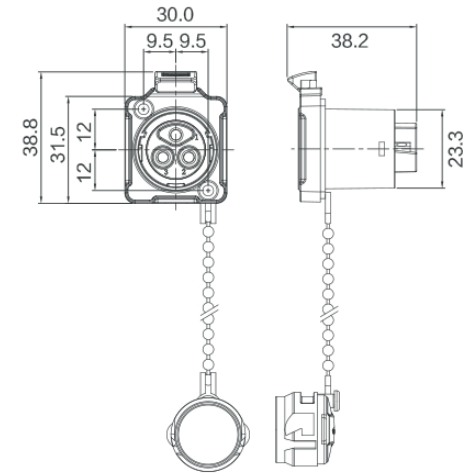
 Flammability rating: UL94-V0



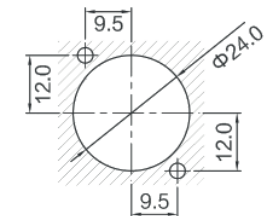
IC02-24P301



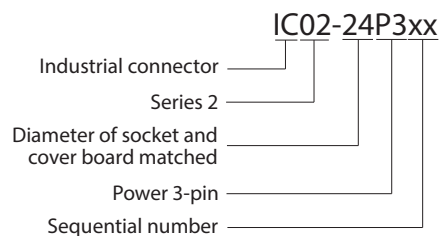
IC02-24P302




Installation hole figure



Model code



Item No.:	Description:	
IC02-24P301	Power (3-Pin) Plug, Screw Termination, M24, IP67	
IC02-24P302	Power (3-Pin) Feedthrough Socket with lock and Flange, Screw Termination, M24, IP67	
Approved	KH	www.goodconnections.de 
Checked	SiM	
Date	04.03.2021	
Revision	/	

Specifications

Locking technology: Click-Lock
 Protection level: IP65 / IP67
 For M24 outlets
 Durability: > 1700 mating cycles
 Operating temperature: -40 °C to +80 °C
 Line diameter scope: 8 - 12 mm
 Contact diameter: 3 mm
 Number of contacts: 3
 Contacts for soldering and screwing
 Insertion force: max. 4,5 N
 Current rating: 25 A
 Temperature rise: 20 A per contact at 30 °C
 25 A per contact at 40 °C
 30 A per contact at 50 °C
 Operating voltage (AC.V.rms): 500 V
 Withstand voltage (AC.V) 1 min: 2500 V
 Contact resistance: < 1 mΩ
 Insulation resistance: > 500 MΩ

Material

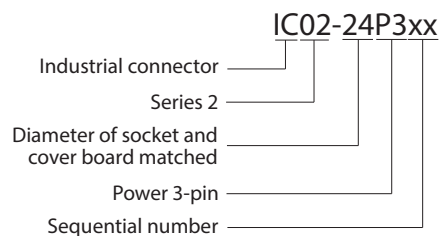
Shell & insulated parts:
 - High performance engineer plastic
 - Hardware metal: Zinc alloy (pearl hard chromium)

Contacts: Copper alloy (gold plated)

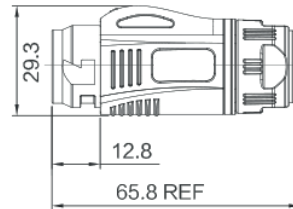
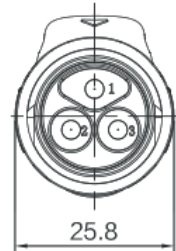
Sealing: Silica gel

Flammability rating: UL94-V0

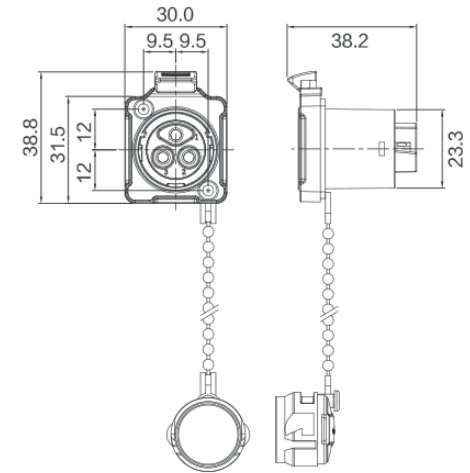
Model code



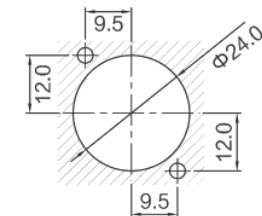
IC02-24P303




IC02-24P304



Installation hole figure



Item No.:	Description:	
IC02-24P303	Power (3-Pin) Plug, Screw Termination, metal, M24, IP67	
IC02-24P304	Power (3-Pin) Feedthrough Socket with lock and Flange, Screw Termination, metal, M24, IP67	
Approved	KH	
Checked	SiM	
Date	04.03.2021	
Revision	/	
www.goodconnections.de		 GOOD CONNECTIONS®