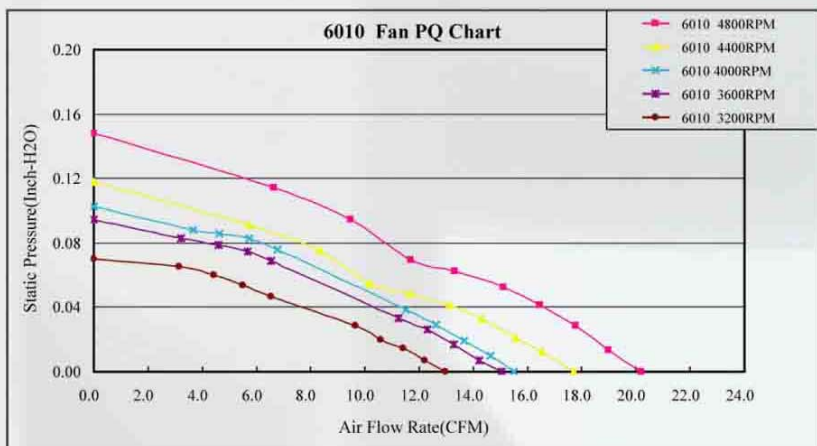


# 6010 series

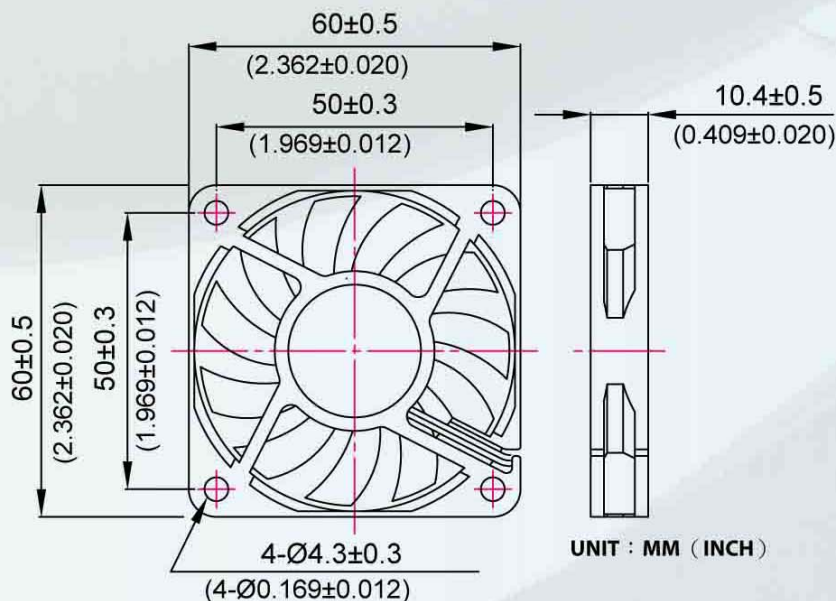
60x60x10 mm



## P&Q Curve



## Dimensions Drawing



## Specifications

Model	Rated Voltage (VDC)	Rated Current (AMP)	Power Consumption (WATTS)	Speed Reference (RPM)	Air Flow (CFM)	Static Pressure (Inch-H <sub>2</sub> O)	Noise (dBA)
TFD-6010HH12X	12	0.22	2.64	4800	20.18	0.15	<36
TFD-6010H12X	12	0.2	2.4	4400	17.7	0.12	<33
TFD-6010M12X	12	0.16	1.92	4000	15.49	0.1	<30
TFD-6010L12X	12	0.14	1.68	3600	15.03	0.09	<26
TFD-6010HH24X	24	0.18	4.32	4800	20.18	0.15	<36
TFD-6010H24X	24	0.16	3.84	4400	17.7	0.12	<33
TFD-6010M24X	24	0.14	3.36	4000	15.49	0.1	<30
TFD-6010L24X	24	0.12	2.88	3600	15.03	0.09	<26
TFD-6010LL24X	24	0.1	2.4	3200	12.96	0.07	<25

- Material : impeller & Frame : Plastic(UL 94V-0)
- Lead Wires :  
UL 1007 AWG#26 Or Equivalent  
Red Wire Positive(+), Black Wire Negative(-), Yellow Wire Or Blue Wire Signal(FG)
- Function type is optional
- The max air flow and the speed are measured in free air; max air pressure is measured at zero air flow
- Noise is measured in anechoic chamber in free air, one meter from intake side
- All readings are typical values at rated voltage
- Specifications are subject to change without notice
- Additional special function may be added according to the requirement of customer