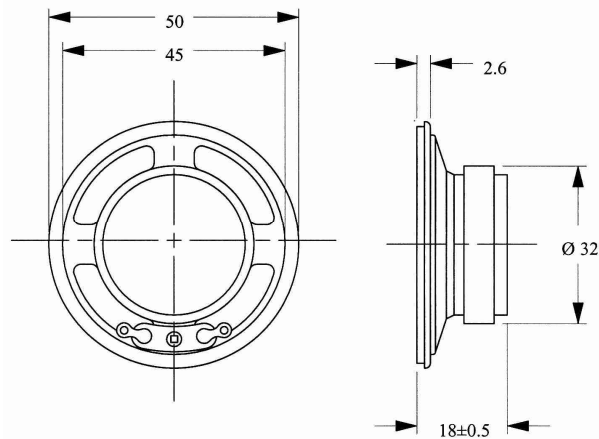

LSM-50F (Artikel-Nr. 120053)

SPECIFICATIONS:

TYPE	UNIT	LSM-50F
Impedance	Ω	45 \pm 15%
Power (Nominal)	W	0.2
Power (Maximum)	W	0.5
Resonant Frequency	Hz	450 \pm 20%
Sound Pressure Level	dB	84 \pm 3
Frequency Range	Hz	Fo~4.000
Operating Temperature	$^{\circ}$ C	-20~+60
Storage Temperature	$^{\circ}$ C	-30~+70

DIMENSIONS :

(Unit: mm)



Frequency response:

